

Lab Supplies for life

Education | Industry | Science



POWERED IN U.S. BY HONEY & BRENCH LTD
STONE, STAFFORDSHIRE ENGLAND ST15 5UA

MODEL No	W4000
VOLTAGE	220-240V
WATTAGE	3000W
FREQUENCY	50/60~
SERIAL No	M 13031

WARNING 
HOT SURFACES. ALLOW TO
COOL BEFORE RESETTING
THIS HEATER MUST BE EARTHED
THERMOSTAT PRESS TO RESET
THERMOSTAT RATING: 120 C.

water still / Merit | W4000 |

Dynalon[®]
Labware
quality . value . service



Labware Starter Kit

Product Number	Polymer	Description	Quantity
237755	PMP	Transparent Economy Molded Cylinder, 50mL	1
237765	PMP	Transparent Economy Molded Cylinder, 100mL	1
237775	PMP	Transparent Economy Molded Cylinder, 250mL	1
226415-0070	HDPE	Cylindrical Jar with Screw Closure and Insert, 70mL	1
226415-0500	HDPE	Cylindrical Jar with Screw Closure and Insert, 500mL	1
226415-1000	HDPE	Cylindrical Jar with Screw Closure and Insert, 1000mL	1
259845	HDPE	Test Tube Rack, Two Tier, for up to 18mm Tubes	1
262175	LDPE	Droppers, Bellow-Type Bulb, 1.5mL	5
262185	LDPE	Droppers, Bellow-Type Bulb, 5.0mL	5
299334-000B	PP/LDPE	Test Tube/Centrifuge Tube, Blue Closure, 16mm	2
299334-000R	PP/LDPE	Test Tube/Centrifuge Tube, Red Closure, 16mm	2
299334-000W	PP/LDPE	Test Tube/Centrifuge Tube, White Closure, 16mm	2
299334-000Y	PP/LDPE	Test Tube/Centrifuge Tube, Yellow Closure, 16mm	2
412575	NYL	Spatula/Stirrer 10"	3
426364-07	PS	Transparent Container with Snap-on Cap, 7Dram/24mL	3
501505-0125	PP	Graduated Bottle Wide Mouth with Marking Area, 125mL	1
501505-0250	PP	Graduated Bottle Wide Mouth with Marking Area, 250mL	1
502754-02	PS	Pipette Graduated 2mL	5
506805-0250	LDPE	Wash Bottle Narrow Mouth Sloped w White Clsr 250mL	1
522085-0100	PP	Printed "Square Ratio" Beaker, 100mL	1
522085-0250	PP	Printed "Square Ratio" Beaker, 250mL	1
326495-0500	PP	Beaker with Handle, 500mL	1
537835-0100	PP	Graduated Cylinder w/ Graduations, Squat Form, 100mL	1
542365-04	PP	Lightweight Funnels, 50mm ID	1
605085-0005	LDPE	Dispensing Bottle 15mL	1
605085-06	LDPE	Dispensing Bottle 180mL	1

Lab Starter Pack

Labware Starter Pack

\$100.03 each

Copyright Dynalab Corp. 2016 and earlier.

Dynalab Labware

key

- Excellent resistance
- Good resistance
- Limited resistance
- Not recommended
- No information

Reagent	LDPE		HDPE		PP		PMP		PVC		PC		PS		SAN		ABS		PMMA		PTFE		PFA		E-CTFE	
	20 °C 68 °F	50 °C 122 °F	20 °C 68 °F	50 °C 122 °F	20 °C 68 °F	50 °C 122 °F	20 °C 68 °F	50 °C 122 °F	20 °C 68 °F	50 °C 122 °F	20 °C 68 °F	50 °C 122 °F	20 °C 68 °F	50 °C 122 °F	20 °C 68 °F	50 °C 122 °F	20 °C 68 °F	50 °C 122 °F	20 °C 68 °F	50 °C 122 °F	20 °C 68 °F	50 °C 122 °F	20 °C 68 °F	50 °C 122 °F	20 °C 68 °F	50 °C 122 °F
Acetic Acid	●	●	●	●	●	●	●	●	●	●	●	●	●	●	●	●	●	●	●	●	●	●	●	●	●	●
Acetone	●	●	●	●	●	●	●	●	●	●	●	●	●	●	●	●	●	●	●	●	●	●	●	●	●	●
Ammonium Chloride (10%)	●	●	●	●	●	●	●	●	●	●	●	●	●	●	●	●	●	●	●	●	●	●	●	●	●	●
Ammonium Hydroxide (28%)	●	●	●	●	●	●	●	●	●	●	●	●	●	●	●	●	●	●	●	●	●	●	●	●	●	●
Boric Acid (10%)	●	●	●	●	●	●	●	●	●	●	●	●	●	●	●	●	●	●	●	●	●	●	●	●	●	●
Calcium Hydroxide (Saturated)	●	●	●	●	●	●	●	●	●	●	●	●	●	●	●	●	●	●	●	●	●	●	●	●	●	●
Chloroform	●	●	●	●	●	●	●	●	●	●	●	●	●	●	●	●	●	●	●	●	●	●	●	●	●	●
Citric Acid	●	●	●	●	●	●	●	●	●	●	●	●	●	●	●	●	●	●	●	●	●	●	●	●	●	●
Ethyl Alcohol	●	●	●	●	●	●	●	●	●	●	●	●	●	●	●	●	●	●	●	●	●	●	●	●	●	●
Formaldehyde (Formalin)	●	●	●	●	●	●	●	●	●	●	●	●	●	●	●	●	●	●	●	●	●	●	●	●	●	●
Formic Acid (50%)	●	●	●	●	●	●	●	●	●	●	●	●	●	●	●	●	●	●	●	●	●	●	●	●	●	●
Formic Acid (100%)	●	●	●	●	●	●	●	●	●	●	●	●	●	●	●	●	●	●	●	●	●	●	●	●	●	●
Fuel Oil	●	●	●	●	●	●	●	●	●	●	●	●	●	●	●	●	●	●	●	●	●	●	●	●	●	●
Glycerine (Glycerol)	●	●	●	●	●	●	●	●	●	●	●	●	●	●	●	●	●	●	●	●	●	●	●	●	●	●
Hydrochloric Acid (5%)	●	●	●	●	●	●	●	●	●	●	●	●	●	●	●	●	●	●	●	●	●	●	●	●	●	●
Hydrochloric Acid (35%)	●	●	●	●	●	●	●	●	●	●	●	●	●	●	●	●	●	●	●	●	●	●	●	●	●	●
Hydrogen Peroxide (30%)	●	●	●	●	●	●	●	●	●	●	●	●	●	●	●	●	●	●	●	●	●	●	●	●	●	●
Isopropyl Alcohol	●	●	●	●	●	●	●	●	●	●	●	●	●	●	●	●	●	●	●	●	●	●	●	●	●	●
Methyl Alcohol (Methanol)	●	●	●	●	●	●	●	●	●	●	●	●	●	●	●	●	●	●	●	●	●	●	●	●	●	●
Mineral Oil	●	●	●	●	●	●	●	●	●	●	●	●	●	●	●	●	●	●	●	●	●	●	●	●	●	●
Nitric Acid (10%)	●	●	●	●	●	●	●	●	●	●	●	●	●	●	●	●	●	●	●	●	●	●	●	●	●	●
Nitric Acid (70%)	●	●	●	●	●	●	●	●	●	●	●	●	●	●	●	●	●	●	●	●	●	●	●	●	●	●
Phosphoric Acid (85%)	●	●	●	●	●	●	●	●	●	●	●	●	●	●	●	●	●	●	●	●	●	●	●	●	●	●
Photographic Developer	●	●	●	●	●	●	●	●	●	●	●	●	●	●	●	●	●	●	●	●	●	●	●	●	●	●
Photographic Fixer	●	●	●	●	●	●	●	●	●	●	●	●	●	●	●	●	●	●	●	●	●	●	●	●	●	●
Potassium Hydroxide (50%)	●	●	●	●	●	●	●	●	●	●	●	●	●	●	●	●	●	●	●	●	●	●	●	●	●	●
Sodium Hydroxide (10%)	●	●	●	●	●	●	●	●	●	●	●	●	●	●	●	●	●	●	●	●	●	●	●	●	●	●
Sodium Hypochlorite (Bleach)	●	●	●	●	●	●	●	●	●	●	●	●	●	●	●	●	●	●	●	●	●	●	●	●	●	●
Sulphuric Acid (10%)	●	●	●	●	●	●	●	●	●	●	●	●	●	●	●	●	●	●	●	●	●	●	●	●	●	●
Sulphuric Acid (98%)	●	●	●	●	●	●	●	●	●	●	●	●	●	●	●	●	●	●	●	●	●	●	●	●	●	●
Turpentine	●	●	●	●	●	●	●	●	●	●	●	●	●	●	●	●	●	●	●	●	●	●	●	●	●	●
Vegetable Oil	●	●	●	●	●	●	●	●	●	●	●	●	●	●	●	●	●	●	●	●	●	●	●	●	●	●

This chart gives general guide lines only on the chemical resistance of plastics. There are many factors which influence chemical resistance. Always test for your own application before selecting the appropriate product.

Plastics properties &

Introduction

The Dynalon catalog technical section aims to provide clear, concise information about the key polymers from which our ranges are manufactured. It is intended as your guide to the suitability of our products for use with a variety of chemical groups, and in a variety of environments.

Each polymer has its own entry with detailed technical information and a summary icon denoting its general chemical suitability characteristics. Those Polymers capable of being repeatedly Autoclaved at, at least 121°C for 30 minutes are denoted by the letter A, more detailed temperature resistance is often included in the text.

The information within this section is designed to answer most common application questions but like any guide will not answer all. Dynalon's Technical Department will be pleased to answer any question relating to product usage.

LDPE (Low Density Polyethylene)

- Translucent naturally flexible polymer
- Temperature range of -50 to +80°C
- Not autoclavable
- Good to excellent chemical resistance
- Robust and virtually unbreakable
- Used for wash bottles, storage bottles, transfer pipettes, vials

Excellent resistance (no attack) to dilute and concentrated Acids, Alcohols, Bases and Esters.

Good resistance (minor attack) to Aldehydes, Ketones and Vegetable Oils.

Limited resistance (moderate attack) suitable for short term use only) to Aliphatic and Aromatic Hydrocarbons, Mineral Oils and Oxidizing Agents.

Poor resistance and not recommended for use with Halogenated Hydrocarbons.

quick facts

Maximum Temperature: 176°F (80°C)

Minimum Temperature: -58°F (-50°C)

Autoclavable: No

UV Resistance: Poor

Translucent with Excellent flexibility

Recycling Code: 4

LDPE



HDPE (High Density Polyethylene)

- Translucent rigid polymer
- Temperature range of -100 to +120°C
- Not autoclavable
- Good to excellent chemical resistance
- High impact resistance
- Used for storage bottles, containers and jars

Excellent resistance (no attack) to dilute and concentrated Acids, Alcohols and Bases.

Good resistance (minor attack) to Aldehydes, Esters, Aliphatic and Aromatic Hydrocarbons, Ketones and Mineral and Vegetable Oils.

Limited resistance (moderate attack) and suitable for short term use only) to Halogenated Hydrocarbons and Oxidizing Agents.

quick facts

Maximum Temperature: 248°F (120°C)

Minimum Temperature: -148°F (-100°C)

Autoclavable: No

UV Resistance: Poor

Translucent and Rigid

Recycling Code: 2

HDPE



chemical resistance

PP (Polypropylene)

- Translucent rigid polymer
- Temperature range 0 to +135°C
- Autoclavable (repeatedly)
- Good to excellent chemical resistance
- Impact resistant
- Used for beakers, bottles, cylinders and screw closures

Excellent resistance (no attack) to dilute and concentrated Acids, Alcohols, Bases and Mineral Oils.

Good resistance (minor attack) to Aldehydes, Esters, Aliphatic Hydrocarbons, Ketones & Vegetable Oils.

Limited resistance (moderate attack) and suitable for short term use only) to Aromatic and Halogenated Hydrocarbons and Oxidizing Agents.

quick facts

Maximum Temperature: 275°F (135°C)

Minimum Temperature: 32°F (0°C)

Autoclavable: Yes

UV Resistance: Poor

Translucent and Rigid

Recycling Code: 5

PP



quality . value . service

PMP (Polymethylpentene)

- Transparent rigid polymer
- Temperature range 0 to +145°C
- Autoclavable
- Good to excellent chemical resistance
- Glass like clarity
- Used for transparent beakers and cylinders

Excellent resistance (no attack) to dilute and concentrated Acids, Alcohols, Bases and Mineral Oils.

Good resistance (minor attack) to Aldehydes, Esters, and Vegetable Oils.

Limited resistance (moderate attack) and suitable for short term use only) to Aliphatic and Aromatic Hydrocarbons, Ketones and Oxidizing Agents.

Poor resistance not recommended for use with Halogenated Hydrocarbons.

quick facts

Maximum Temperature: 293°F (145°C)

Minimum Temperature: 32°F (0°C)

Autoclavable: Yes

UV Resistance: Poor

Clear and Rigid

Recycling Code: 7

PMP



PS (Polystyrene)

- Transparent rigid polymer
- Temperature range -10 to +70°C
- Not autoclavable
- Moderate chemical resistance
- Brittle yet has excellent clarity
- Used for petri dishes, pipettes and container ware

Excellent resistance (no attack) to dilute Acids, Alcohols and Mineral Oils.

Good resistance (minor attack) to Vegetable Oils.

Limited resistance (moderate attack) and suitable for short term use only) to concentrated Acids.

Poor resistance not recommended for use with Aldehydes, Esters, Aliphatic, Aromatic and Halogenated Hydrocarbons, Ketones and Oxidizing Agents.

quick facts

Maximum Temperature: 158°F (70°C)

Minimum Temperature: 32°F (0°C)

Autoclavable: No

UV Resistance: Good

Clear and Rigid

Recycling Code: 6

PS



Bag - Beaker



Bags LDPE/PP

BAGS LDPE .0015" THICK

626785	-0002	-0003
Length inches	4	4
Height inches	6	10
Case Quantity	100	100
Case Price \$	10.08	10.08

626785	-0004	-0005
Length inches	6	6
Height inches	8 1/2	10
Case Quantity	100	100
Case Price \$	11.23	12.25

626785	-0006	--0008	-0009	-0010	-0011
Length inches	6	8	10	10	12
Height inches	12	10 1/2	12	16	18
Case Quantity	100	100	100	100	100
Case Price \$	13.32	13.80	16.77	21.80	22.71

626785	-0013	-0014	-0015
Length inches	16	18	22
Height inches	18	24	28
Case Quantity	100	100	100
Case Price \$	28.80	36.37	47.39

BAGS AUTOCLAVABLE POLYPROPYLENE .0015" THICK

	628505	628515	628525	628535	628545
Length inches	4	4	6	6	10
Height inches	6	10	10	12	16
Case Quantity	100	100	100	100	100
Case Price \$	18.37	24.28	25.73	30.59	40.36

	628555	628565	628575	628585	628595
Length inches	12	12	16	18	22
Height inches	18	24	18	23	30
Case Quantity	100	100	100	100	100
Case Price \$	53.43	59.23	62.85	82.80	122.19



Heavy Duty Sample Bags - Zipper Seal LDPE

These heavyweight (4 mil & 2 mil) polyethylene bags are ideal for collecting, storing and protecting laboratory specimens and samples easily and conveniently. Sealed bags keep dust out. Not suggested for use with liquids. Many uses in the lab and industry. Bags lock easily and securely with the zipper locking feature. No printing on the bag allows easier labeling and marking.

HEAVY DUTY SAMPLE BAGS - ZIPPER SEAL LDPE - 4 MIL. THICK

	628405	628415	628425	628435
Length inches	4	5	6	9
Height inches	6	8	13	12
Case Quantity	500	500	250	250
Case Price \$	135.86	165.62	135.37	160.70

ECONOMY SAMPLE BAGS - ZIPPER SEAL LDPE - 2 MIL. THICK

	628325	628335	628345	628355	628365
Length inches	2	3	4	5	9
Height inches	3	5	6	8	12
Case Quantity	1000	1000	1000	1000	1000
Case Price \$	33.19	41.92	52.39	89.98	196.48



Beakers PTFE*

- Optional watch glass available
- Not graduated

Isostatically molded from virgin PTFE and machine finished to give a smooth surface for ease of cleaning and to eliminate contamination. Beakers with pouring spouts are virtually immune to chemical attack, only attacked by some fluorine containing compounds at very high temperature and molten alkalis metals. Working temperature range is from cryogenic to 260°C.

PTFE BEAKERS	312284	312294	312024	312034	312044
Capacity ml	1	5	10	25	50
Height mm	18	26	33	47	60
Diameter mm	13	20	24	32	43
Price Each \$	11.36	14.26	15.95	18.82	20.73

PTFE BEAKERS	312054	312064	312084	312074	312094
Capacity ml	100	250	400	500	600
Height mm	68	97	106	125	125
Diameter mm	54	66	80	80	90
Price Each \$	26.33	53.94	69.84	77.44	102.09

PTFE BEAKERS	312174	312184	312244	312084	312074
Capacity ml	1000	2000	5000	400	500
Height mm	155	210	280	106	125
Diameter mm	100	120	170	80	80
Price Each \$	175.79	274.98	997.74		

PTFE BEAKERS	312094	312174	312184	312244
Capacity ml	600	1000	2000	5000
Height mm	125	155	210	280
Diameter mm	90	100	120	170
Price Each \$	102.09	175.79	274.98	997.74

PTFE WATCH GLASS

	315294	315304	315314	315324	315334
Fits Beaker ml	1	5-10	25	50	100
Diameter mm	20	30	40	50	65
Price Each \$	6.47	6.86	8.65	9.30	12.26

	315384	315344	315354	315374
Fits Beaker ml	250	400-500	600-1000	2000
Diameter mm	80	100	125	150
Price Each \$	13.33	16.72	23.21	43.72

Use absorbent **BenchGuard** matting to reduce cleanup time.
Page 27

Heatable Beakers, PTFE Fluoropolymer*

- Totally chemical resistant and inert PTFE beaker
- Use to 270°C without distortion
- For use w/ Hydrofluoric Acid and caustic chemicals
- Even heat transfer

This product features the unique combination of a pure PTFE body with a specially formulated stabilized PTFE Carbon base as a single molding allowing for heating to 270°C without distortion.

315284	-0100	-0250	-0400
Capacity ml	100	250	400
Height mm	74	94	112
Diameter mm	56	75	85
Price Each \$	48.46	62.23	96.85



522085 Polypropylene Series



522095 Polymethylpentene Series

"Square Ratio" Design Printed Polypropylene and Polymethylpentene Beakers*

- Shatter resistant - reduce breakage & incidence of injury!
- Chemically resistant to most acids, bases and many common solvents
- Autoclavable
- Choose glass-like clarity of polymethylpentene (PMP) or
- Choose economical translucent polypropylene (PP)

Square ratio beakers are the safe, convenient alternative to griffin style beakers. These beakers feature a vertical lip around the top of the beaker which serves two purposes: first the lip contains many spills that may occur with the rounded design of a griffin style beaker. Second, this vertical lip allows the beakers to be stacked together in sets when not in use. Maximum temperature for PP is 135°C; PMP is 150°C to 180°C for short intervals.

PRINTED IN BLUE PP "SQUARE RATIO" BEAKERS

522085	-0010	-0025	-0050	-0100	-0250
Capacity ml	10	25	50	100	250
Sub Div. ml	1	2.5	5	10	25
I.D. mm	30	40	49	60	80
O.D. mm	32	42	51	62	82
Height mm	32	40	51	62	82
Pack Qty.	10	10	10	10	10
Pack Price \$	22.53	19.86	23.42	26.93	46.04

522085	-0400	-0500	-0600	-1000	-2000
Capacity ml	400	500	600	1000	2000
Sub Div. ml	50	50	50	100	200
I.D. mm	92	96	101	123	154
O.D. mm	94	100	106	127	158
Height mm	95	101	107	126	160
Pack Qty.	10	10	5	5	1
Pack Price \$	46.04	54.59	23.87	34.31	10.50

PRINTED IN RED PMP "SQUARE RATIO" BEAKERS

522095	-0025	-0100	-0250	-0400
Capacity ml	25	100	250	400
Sub Div. ml	2.5	10	25	50
I.D. mm	40	60	80	92
O.D. mm	42	62	82	94
Height mm	40	62	82	95
Case Qty.	10	10	5	5
Case Price \$	48.91	58.41	43.48	46.70

522095	-0500	-0600	-1000	-2000
Capacity ml	500	600	1000	2000
Sub Div. ml	50	50	100	200
I.D. mm	96	101	123	154
O.D. mm	100	106	127	158
Height mm	101	107	126	160
Case Qty.	5	5	1	1
Case Price \$	53.40	58.15	17.17	20.14

POLYPROPYLENE BEAKER SETS

	522125	522135-0001
Capacity	10 sizes above	50, 100, 250, 500 & 1000ml
Set Price \$	46.00	22.66

	522135-0002	522135-0003
Capacity	50, 100, 250, 600 & 1000ml	250, 500 & 1000ml
Set Price \$	22.67	17.39

*Supplied by an ISO 9001 certified facility. Traceable food grade raw materials used in containment and dispensing products.

Beaker



522055 Polypropylene Series

Azlon



522765 Polymethylpentene Series

Tapered Low-Form Polypropylene & Polymethylpentene Beakers*

- Shatter resistant - reduce breakage & incidence of injury!
- Chemically resistant to most acids, bases and many common solvents
- Beakers are not calibrated
- Autoclavable
- Choose glass-like clarity of polymethylpentene (PMP) or
- Choose economical translucent polypropylene (PP)
- Comply with ISO7056

Introducing the latest addition to the Azlon family of high quality durable plastic labware - smoothly tapered beakers made from virgin, high clarity polypropylene or transparent polymethylpentene. Available with both molded and easy to read blue printed graduations. This extensive range of beakers from 25ml to 5 liters is break resistant and durable. Also supplied with an anti-lock feature that prevents beakers from sticking together when stacked. Tapered design allows for easy handling. SPI recycling codes and batch stamped for full traceability. Maximum temperature for PP is 121°C; PMP is 180°C.

MOLDED POLYPROPYLENE LOW FORM BEAKERS

522055	-0025	-0050	-0100	-0250	-0400	-0500
Capacity ml	25	50	100	250	400	500
Sub Div. ml	5	10	20	50	50	50
Height mm	51	61	73	96	111	121
Base O.D. mm	32	39	48.5	65.5	74.5	84
Rim Diam. mm	41.5	50.5	61.5	80.5	92.5	102.5
Pack Qty.	10	10	10	10	10	10
Pack Price \$	17.32	18.07	18.77	30.84	43.48	47.98

MOLDED POLYPROPYLENE LOW FORM BEAKERS

522055	-0600	-1000	-2000	-3000	-5000
Capacity ml	600	1000	2000	3000	5000
Sub Div. ml	50	100	200	200	500
Height mm	126	148	188	214	250
Base O.D. mm	84	99	125	143	164
Rim Diam. mm	104	120	163	172	230
Pack Qty.	5	5	1	1	1
Pack Price \$	27.87	70.25	17.22	19.55	28.76

PRINTED POLYPROPYLENE LOW FORM BEAKERS

522655	-0025	-0050	-0100	-0250	-0400	-0500
Capacity ml	25	50	100	250	400	500
Sub Div. ml	5	10	20	50	50	50
Height mm	51	61	73	96	111	121
Base O.D. mm	32	39	48.5	65.5	74.5	84
Rim Diam. mm	41.5	50.5	61.5	80.5	92.5	102.5
Pack Qty.	10	10	10	10	10	10
Pack Price \$	28.86	31.36	33.36	42.17	62.34	70.18

PRINTED POLYPROPYLENE LOW FORM BEAKERS

522655	-0600	-1000	-2000	-3000	-5000
Capacity ml	600	1000	2000	3000	5000
Sub Div. ml	50	100	200	200	500
Height mm	126	148	188	214	250
Base O.D. mm	84	99	125	143	164
Rim Diam. mm	104	120	163	172	230
Pack Qty.	5	5	1	1	1
Pack Price \$	38.16	56.96	24.28	20.24	48.95

PRINTED POLYMETHYLENTPENTENE LOW FORM BEAKERS

522765	-0025	-0050	-0100	-0250
Capacity ml	25	50	100	250
Sub Div. ml	5	10	20	50
Height mm	51	61	73	96
Base O.D. mm	32	39	48.5	65.5
Rim Diam. mm	41.5	50.5	61.5	80.5
Pack Qty.	10	10	10	5
Pack Price \$	49.63	58.63	58.93	38.63

522765

	-0400	-0500	-0600	-1000
Capacity ml	400	500	600	1000
Sub Div. ml	50	50	50	100
Height mm	111	121	126	148
Base O.D. mm	74.5	84	84	99
Rim Diam. mm	92.5	102.5	104	120
Pack Qty.	5	5	5	1
Pack Price \$	53.27	58.01	64.08	18.80

522765

	-2000	-3000	-5000
Capacity ml	2000	3000	5000
Sub Div. ml	200	200	500
Height mm	188	214	250
Base O.D. mm	125	143	164
Rim Diam. mm	163	172	230
Pack Qty.	1	1	1
Pack Price \$	38.88	41.99	58.92



**Beaker Drying Racks
Page 32**

Beaker - Beaker with Handle



222075 Polypropylene Series



222045 Polymethylpentene Series

Kartell

Griffin Style Beakers - Comply with ISO 7056*

- Special no-drip pouring spout
- Chemically resistant to most acids, bases and many common solvents
- Shatter resistant - reduce breakage & incidence of injury!
- Autoclavable

For general laboratory use. Polypropylene beakers will withstand temperatures up to 135°C and polymethylpentene beakers can withstand temperatures as high as 180°C for short intervals. Graduations molded in milliliters. Conforms to ISO7056.

MOLDED POLYPROPYLENE GRIFFIN STYLE BEAKERS

222075	-0050	-0100	-0250	-0500	-1000	-2000	-5000
Capacity ml	50	100	250	500	1000	2000	5000
Sub Div. ml	2	5	10	10	20	50	500
Tolerance +/-	10%	10%	10%	10%	10%	10%	10%
Diameter mm	41	51	71	87	109	132	188.5
Height mm	60	72	95	119	147	183.5	229
Wall Thick mm	1.3	1.5	1.7	1.8	1.8	1.8	2.5
Case Qty.	40	48	40	36	12	4	4
Case Price \$	83.52	111.89	112.80	200.39	104.11	69.21	148.89

BEAKER SETS

	222195
Material	Polypropylene
Capacity	50, 100, 250, 500, 1000ml
Set Price \$	21.25
	222205
Material	Polymethylpentene
Capacity	50, 100, 250, 500, 1000ml
Set Price \$	43.95

MOLDED POLYMETHYLPENTENE GRIFFIN STYLE BEAKERS

222045	-0050	-0100	-0250	-0500	-1000	-2000
Capacity ml	50	100	250	500	1000	2000
Sub Div. ml	2	5	10	10	20	50
Tolerance +/-	10%	10%	10%	10%	10%	10%
Diameter mm	42	52	71	88	110	133
Height mm	60	72	95	119	146	184
Wall Thick mm	1.3	1.5	1.7	1.8	1.8	1.8
Case Qty.	40	48	40	36	12	4
Case Price \$	167.09	204.37	285.44	401.93	186.14	107.11

Low Form Beaker with Handle PP*

Kartell

- Molded graduations - in liters
- Autoclavable; use up to 135°C
- Low form for added stability

Autoclavable, highly translucent especially when filled with liquids. Permanent molded in graduations. Resistant. No drip spout. Thumb grip on handle.

326495	-0500	-1000	-2000	-3000	-5000
Capacity ml	500	1000	2000	3000	5000
Sub Div. ml	25	50	50	100	250
Top Diameter mm	90	116	145	165	190
Height mm	116	131	165	180	225
Pack Qty.	24	24	12	12	12
Pack Price \$	183.30	188.97	106.41	154.02	470.68



*Supplied by an ISO 9001 certified facility. Traceable food grade raw materials used in containment and dispensing products.

Beaker with Handle - Bottle



Beaker with Handle - Intermediate Form PP*

- Tapered jugs in high clarity polypropylene
- Crisp blue printed graduations
- Ergonomically designed handle with thumb grip for easy carrying
- Autoclavable; use up to 135°C

526475	-0050	-0100	-0250	-0500	-1000
Capacity ml	50	100	250	500	1000
Sub Div. ml	10	20	50	50	100
Top Diameter mm	50	61	90	102	122
Height mm	60	72	100	120	150
Pack Qty.	5	5	1	1	1
Pack Price \$	29.83	29.50	8.80	9.66	11.42

526475	-2000	-3000	-5000
Capacity ml	2000	3000	5000
Sub Div. ml	100	200	200
Top Diameter mm	151	172	199
Height mm	187	215	253
Pack Qty.	1	1	1
Pack Price \$	14.04	16.33	47.42

Azlon



Polycarbonate Graduated Media Bottles with PP Closure

- Octagonal square shape for easy pouring and space storage
- Graduation markings are optically clear molded-in
- Transparent, autoclavable and leak-proof

Unequaled in design or performance, the octagonal square shape provides an "Easy-Grip" for pouring. Transparent and autoclavable. Use with aqueous solutions, storage of media-short term or for space saving (square) storage. The cap is made with virgin, high-temperature polypropylene (PP) and is liner-free and comes with a leak-proof guaranty. The neck ring insures security of shrink-wrapped seals and has a smooth interior so there is no fluid entrapment and no back-flow contamination. The seal ring is molded inside the cap and fits tightly against the bottle neck; insuring a leak-proof system.

626284	-0125	-0250	-0500	-1000	-2000
Capacity ml	125	250	500	1000	2000
Height mm	107	140	172	213	273
Diameter mm	54	61	73	97	114
Neck Size	38-430	38-430	38-430	38-430	53B
Case Quantity	48	36	24	24	1
Case Price \$	289.87	227.56	230.70	291.09	24.24



PP

HDPE

Need large quantities?
Ask for bulk pack boxes
and save \$\$\$

- HDPE Bottles**
- Leakproof
 - Translucent
 - FDA compliant resin
 - Rigid
 - Polypropylene closure

- PP Bottles**
- Leakproof
 - Translucent
 - Autoclavable
 - FDA compliant resin
 - Rigid
 - Polypropylene closure

Azlon

HIGH DENSITY POLYETHYLENE WIDE MOUTH BOTTLES*

301605	-0001	-0002	-0004	-0008	-0016	-0032	-0064
Capacity ml	30	60	125	250	500	1000	2000
Height mm	70	82	99	145	165	209	245
Bottle O.D. mm	32	40	50	60	75	90	120
Neck I.D. mm	22	26	33	35	45	54	54
Cap Size mm	28	33	38	45	55	65	65
Pack Quantity	12	12	12	12	12	6	1
Case Quantity	72	72	72	72	48	24	6
Case Price \$	112.88	116.09	132.19	193.86	183.17	158.11	78.79

POLYPROPYLENE WIDE MOUTH BOTTLES*

301625	-0001	-0002	-0004	-0008	-0016	-0032	-0064
Capacity ml	30	60	125	250	500	1000	2000
Height mm	70	82	99	145	165	209	245
Bottle O.D. mm	32	40	50	60	75	90	120
Neck I.D. mm	22	26	33	35	45	54	54
Cap Size mm	28	33	38	45	55	65	65
Pack Quantity	12	12	12	12	12	6	1
Case Quantity	72	72	72	72	48	24	6
Case Price \$	117.59	119.62	147.52	231.27	216.00	158.31	88.36



NEW

NEW Polycarbonate Graduated Bottles with PP Closures

- Autoclavable and leakproof
- Glass clear, durable and highly break resistant
- Graduated in metric and English;
- Very high quality

Boston Round bottles, Narrow Mouth. Use with biologicals, liquids, reagents, media, buffers and aqueous solutions. Manufactured in Class 10K cleanroom. Available in packs or shrink wrap trays.

601524	-0300	-0500	-1000
Size mL	300	500	1000
Closure mm	38-430	38-430	38-430
Pack Quantity	6	6	4
Pack Price \$	\$45.30	\$56.82	\$44.76
Case Quantity	24	12	12
Case Price \$	\$181.20	\$113.64	\$134.20



Azlon

Polypropylene Graduated Bottles*

- High performance polypropylene bottles ideal for a wide range of liquids and solids
- Autoclavable polypropylene leak proof construction
- Full range of sizes with high chemical resistance
- Autoclavable; use up to 135°C
- Printed with large white marker space for clear, easy and safe labeling
- Wide mouth for easy access filling
- Clear, crisp printed graduations show milliliters and fluid ounces, allowing estimation of volumes remaining and / or decanted
- High clarity polypropylene allows easy viewing of the fluid level

501505	-0060	-0125	-0250	-0500	-1000
Capacity ml	60	125	250	500	1000
Neck I.D. mm	26	33	35	45	54
Cap size nom. mm	33	38	45	55	65
Height nom. mm	82	99	145	165	209
Bottle O.D. mm	40	50	60	75	90
Pack Quantity	12	12	12	12	6
Pack Price \$	37.36	40.60	57.15	67.07	40.41

Round Concertina Bottle HDPE*

- Collapsible, adjustable volume
- Ideal for photographic chemicals and hydrogen peroxide

These amber collapsible bottles are ideal for solutions that readily oxidize, or those that liberate gases. The bellows convolution of the walls allow the bottle volume to be adjusted to match the volume of contents and eliminate air space as liquid is drawn off or added.

	501835
Capacity ml	1000
Height mm	201
Diameter mm	100
Neck I.D. mm	32
Case Quantity	5

Azlon

Suitable for use with gas liberating solutions, e.g. hydrogen peroxide



Graduated Square Bottles, HDPE with HDPE Screw Closures*

Choice of amber or natural graduated 2 liter HDPE rectangular bottles for space saving storage. Enhanced stability when in use with an ergonomic hand grip allowing for greater ease in pouring. Screw capped and graduated to 2000 mL. Bottle Dimensions (l x w x h): 3.75" x 4.5" x 9.65".

201315-2000A	Amber 2L Bottle	\$68.81 pack of 6
201315-2000W	White 2L Bottle	\$65.62 pack of 6

Kartell

Bottle, Dispensing



Dropping Bottles, Long and Short Spout LDPE*

- Low Density Polyethylene bottle with closure / spout
- Choice of 50 or 100mL capacities

An ideal bottle for water and oils - there are no shoulders to restrict the flow. Graduated and can be secured using shoulder and cap tag to avoid sample contamination in transit. Conforms to DIN 13316 and 168. Supplied with LDPE cap for tip closure.

	224125-0050	-0100	224135-0050	-0100
Spout Length	Long	Long	Short	Short
Volume mL	50	100	50	100
Graduations	10	20	10	20
O.D. mm	38	48	38	48
Height w Spout mm	130	146	106	127
Mouth ID mm	13	13	13	13
Pack Quantity	10	10	10	10
Pack Price \$	38.54	44.93	38.54	44.93



Dispensing Bottles with Nozzle LDPE*

- Leakproof screw closure
- Flexible

The white polyethylene screw cap has a pivoting nozzle which can be raised to give a direct jet of liquid as the bottle is squeezed. When the nozzle is closed the passage for liquid is shut off to give an airtight seal at normal pressure, although when the nozzle is partly open it makes an excellent dropping device. Max. temperature for LDPE is 80°C.

	524165	-0030	-0060	-0150	-0250	-0500
Capacity ml	30	60	150	250	500	
Height mm	84	97	120	150	170	
Bottle O.D. mm	31	39	59	59	74	
Case Quantity	10	10	10	10	10	
Case Price \$	19.82	21.07	21.98	25.75	31.51	

Azlon

Kartell

Quick Mist™ Dispenser Bottle HDPE

- Excellent for spraying all types of thin liquids
- Fine mist with large pattern
- Not suitable for use with food products

Reusable hand sprayer. Trigger-type operation to provide fine mist with large pattern. Trigger assembly chemically resistant polypropylene with plastic strainer. Easily cleaned valve and intake. Excellent for spraying all types of thin liquids. Not suitable for use with food products.



	605144	605154
Capacity ml	500	1000
Height inches	7 7/8	9 25/64
Diameter inches	2 27/64	3 7/16
Pack Quantity	24	24
Pack Price \$	166.76	205.66

Dispensing Bottle 500mL HDPE*

Supplied with PP closure, this 500mL dispensing bottle is highly suitable for dispensing liquids and creams. Wide surface area is easily labeled with contents. Suitable for food grade products.

205135

\$32.08 case of 5



Kartell



LDPE SEALER CAP BOTTLES

These low density polyethylene bottles are supplied with LDPE sealer caps. Maximum temperature for LDPE is 80°C.

	605085	-0005	-0010	-0020	-0040
Capacity ml	15	30	60	125	
Height w/ cap mm	36	98	108	144	
Bottle Diameter mm	24	30	36	47	
Cap Size mm	15	18	18	24	
Pack Quantity	12	12	12	12	
Case Quantity	48	48	48	36	
Case Price \$	50.06	52.66	61.74	61.74	

	605085	-0060	-0080	-0160
Capacity ml	180	250	500	
Height w/ cap mm	162	174	195	
Bottle Diameter mm	55	60	79	
Cap Size mm	24	24	28	
Pack Quantity	12	12	12	
Case Quantity	36	36	24	
Case Price \$	78.93	91.06	77.40	

Bottle, Dispensing - Bottle, Wash

Kartell

Dispenser Bottle with Adjustable Volume LDPE/PMP*

- LDPE bottle with PMP dispenser

The graduated clear PMP measuring cup slides up and down on the vertical polyethylene tube for easy adjustment. The variation in height determines the volume to be dispensed. The cup is filled by squeezing the bottle and forcing the liquid up the tube. When the bottle pressure is released, the excess will be drawn back into the bottle and only the desired volume will remain.



	206305	206315	206325	206335	206345	206355
Bottle Size ml	250	500	1000	250	500	1000
Bottle Diameter mm	60	75	94	60	75	94
Cup Size ml	5-25	5-25	5-25	5-50	5-50	5-50
Height mm	282	324	354	298	340	370
Case Quantity	10	10	10	10	10	10
Case Price \$	143.26	157.17	201.89	182.55	193.11	242.24

Azlon

Economy Integral Style Wash Bottle LDPE*

These wash bottles have an integrally molded tube with removable jet tip and a separate plain Polypropylene cap. The shape is a squared-oval for easy grip and improved stability. Can be supplied with the tube end sealed for transportation when filled. Maximum temperature of LDPE is 80°C.



	506535-0250	506535-0500
Capacity ml	250	500
Color	Natural	Natural
Pack Quantity	5	5
Pack Price \$	29.36	34.41

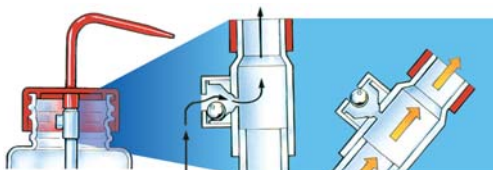
506455	-0001	-0002	-0004	-0005	-0006
Capacity ml	250	250	250	250	250
Height mm	145	145	145	145	145
Diameter mm	60	60	60	60	60
Printed	Acetone	Ethanol	Isopropanol	Methanol	All 250ml
Pack Quantity	5	5	5	5	1
Pack Price \$	41.45	41.45	41.45	41.45	43.50

506465	-0001	-0002	-0004	-0005	-0006
Capacity ml	500	500	500	500	500
Height mm	165	165	165	165	165
Diameter mm	75	75	75	75	75
Printed	Acetone	Ethanol	Isopropanol	Methanol	All 500ml
Pack Quantity	5	5	5	5	1
Pack Price \$	43.38	43.38	43.38	43.38	45.64

506475	-0001	-0002
Capacity ml	250	500
Height mm	145	165
Diameter mm	60	75
Printed	Write-on	Write-on
Pack Quantity	5	5
Pack Price \$	45.17	45.74

The Azlon® Driplok system (illustrated below) is the ONLY solvent vapor venting bottle that dispenses as efficiently as a normal wash bottle due to the patented ball valve system.

No spit...no sputter!



Azlon

Solvent Venting Wash Bottles*

- Wide mouth for easy filling
- Eliminates unwanted jets of solvent
- Dispenses solvents efficiently
- Eliminates solvent dripping

These LDPE Driplok Wash Bottles with PP closures feature the only venting system that dispenses solvent as efficiently as a standard wash bottle. This venting system consists of a valve specifically designed to allow volatile solvent vapors to escape, but seals completely when in use to dispense a powerful, spatter-free jet of solvent. These easy to fill bottles are available labeled with hazard information, or blank with write on for customization.



*Supplied by an ISO 9001 certified facility. Traceable food grade raw materials used in containment and dispensing products.

Bottle, Wash - Bottle, Weighing



Azlon

Round Wide Neck Wash Bottle LDPE*

Meets GHS Regulations!

Multi-lingual Wide Mouth Wash Bottles*

- Multi-lingual wide mouth wash bottles featuring the patented DripLok® vapor venting valve that prevents solvent drips
- Indelibly printed in 4 languages (English, French, German & Spanish)
- Choose from four solvent labels, all including the new Globally Harmonized Symbols, NFPA diamond, risk phrases & safety information
- Fitted with color coded one-piece PP closures that maintain their shape in use
- Closures feature precision jet-tip aperture for fine control



These high quality wash bottles are supplied in flexible natural polyethylene and are fitted with a range of color coded leak proof, wide neck polypropylene spout closures.

The wide neck offers easy spill-free filling, and the acute angled, precision molded dispensing spout, ensures a consistent, downward pointing jet. The wash bottles are supplied in shrink-wrapped packs of five. All feature S.P.I recycling codes on their base. Maximum temperature of LDPE is 80°C.

506485	-0001	-0002	-0003	-0004	-0005
Capacity ml	250	250	250	250	250
Height mm	145	145	145	145	145
Diameter mm	60	60	60	60	60
Printed	Acetone	Ethanol	Isopropanol	Methanol	All 250ml
Pack Quantity	5	5	5	5	1
Pack Price \$	36.13	36.13	36.13	36.13	37.92

506925	-0001	-0002	-0003	-0004	-0005
Capacity ml	250	250	250	250	250
Height mm	145	145	145	145	145
Diameter mm	60	60	60	60	60
Cap Color	White	Red	Yellow	Green	Blue
Pack Quantity	5	5	5	5	5
Pack Price \$	28.07	26.93	26.93	28.07	26.93

506495	-0001	-0002	-0003	-0004	-0005
Capacity ml	500	500	500	500	500
Height mm	165	165	165	165	165
Diameter mm	75	75	75	75	75
Printed	Acetone	Ethanol	Isopropanol	Methanol	All 500ml
Pack Quantity	5	5	5	5	1
Pack Price \$	37.81	37.81	37.81	37.81	39.81

506935	-0001	-0002	-0003	-0004	-0005
Capacity ml	500	500	500	500	500
Height mm	165	165	165	165	165
Diameter mm	75	75	75	75	75
Cap Color	White	Red	Yellow	Green	Blue
Pack Quantity	5	5	5	5	5
Pack Price \$	31.19	31.19	30.75	30.75	30.75

506945	-0001	-0002	-0003	-0004	-0005
Capacity ml	1000	1000	1000	1000	1000
Height mm	209	209	209	209	209
Diameter mm	90	90	90	90	90
Cap Color	White	Red	Yellow	Green	Blue
Pack Quantity	5	5	5	5	5
Pack Price \$	34.93	33.48	33.48	33.48	33.48



Kartell

Weighing Bottles PP with PP Lids*

- Autoclavable, reusable translucent bottles
- No internal shoulder eliminates need for spatulas
- Airtight, push on lids included
- For liquids or solids

Reduce the tare weight correction with these light weight, autoclavable, reusable translucent bottles. Highly resistant to acid attack. Tops can be squeezed to assist pouring. Remove lid before autoclaving. Very economical compared to glass.

261154	-0001	-0002	-0003	-0004	-0005	-0006	-0007
Volume mL	20	23	30	50	60	190	360
O.D. mm	40	30	49	59	40	59	70
Height mm	29	48	29	34	69	88	118
Tare g	8	8	10	18	14	28	40
Pack Quantity	10	10	10	10	10	10	10
Pack Price \$	56.52	57.34	58.05	65.62	67.39	82.17	98.61

Bottle Carrier - Burette

Azlon



Economy Bottle Carrier HDPE

Lightweight, sturdy bottle carrier provides economical means to transport up to six 1 Liter bottles (3 1/2" diameter or smaller). Overall dimensions approximately 13" x 9 3/4" x 4 1/4" deep compartments. Handle is approximately 6" high.

408175 Economy Bottle Carrier \$140.03 pack of 5



Titrating Burette Automatic

This automatic titrating burette is a universal aid in the laboratory, electroplating industry, water treatment plants, for field analysis and numerous other applications. Available in 5 sizes from 5mL to 50mL.

Prominent features include:

- Measured "to deliver"
- Burette made of Schott graduated borosilicate glass with blue ring graduations and Schellbach stripe for easy read measurements
- Graduations in accordance

with Category B (Tolerances according to DIN ISO 385)

- Exact dispensing of precise discharge jet or drop via the micro screw
- Left or right hand operation for ease of use
- Sturdy stand for support
- 1 liter low density polyethylene (LDPE) chemically resistant bottle

	-1005	-1010	-1015	-1025	-1050
Capacity mL	5	10	15	25	50
Division mL	0.05	0.05	0.10	0.10	0.10
Precision mL	± 0.015	± 0.030	± 0.045	± 0.045	± 0.045
Height cm	48	57	49	61	87
Price Each \$	116.17	116.17	116.17	116.17	135.71



Acrylic Burette*

- Class B accuracy
- Ideal for use in educational environment
- Supplied with PMP/PP stopcocks
- Each burette supplied with technical data sheet

These break resistant transparent acrylic burettes are screen printed in black to Class B accuracy. They are suitable for use in education, research or industrial laboratories, especially where breakages often occur.

This series is unaffected by most dilute aqueous solutions (except ammonia and HF) but unsuitable for ethanol or organic solvents. Individually calibrated.

564715	-0025	-0050	-0100
Capacity ml	25	50	100
Tolerance +/- ml	.1	.1	.2
*Tube Length mm	480	680	735
*I.D. mm	89.5	10.8	14.6
*Overall Length mm	550	750	805
Price Each \$	74.67	94.03	111.52
*Nominal			

Azlon

Burette, Retort Stand*

- Corrosion resistant
- Weighted for stability



This heavy white polyethylene resistant stand weighs 5.5lbs. It comes with a polyethylene coated metal rod which screws into the base. Available with the hole in the center or at the short edge. The base dimensions are: 171 x 248 x 52mm (6 3/4" x 9 7/8" x 2 1/16"). Rod diameter is 12.5mm. Burette clamps available at left.

502655 Center Rod Stand \$110.32 each
502665 Edge Rod Stand \$110.32 each

Burette Clamps PP*

These spring loaded polypropylene clamps allow a clear view of the graduations over the entire length of a burette. The arms are fitted with rubber grips to prevent slipping and the central boss features a conical compression piece which provides a firm grip on rods 11 - 14mm diameter. Available as a single or double model.

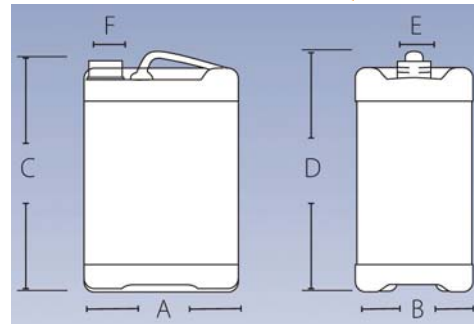
	562415	562425
Model	Single	Double
Pack Quantity	5	5
Pack Price \$	55.33	78.68

Azlon

*Supplied by an ISO 9001 certified facility. Traceable food grade raw materials used in containment and dispensing products.



Ideal for chemical waste collection. UN shippable and very economic!



Baritainer® Jerry Cans

- Replaces fluorinated, glass, steel and epoxy phenolic
- UN Classification X Rated (4L, 5L, 10L) Y Rated (20L)
- Impact and corrosion resistant
- Durable, lightweight, stackable
- FDA Compliant
- Economical and Recyclable

Baritainer® Jerry Cans with handle (4L, 5L, 10L 13L & 20L) from Dynalon are the alternative solution for packaging, storing & transporting chemicals that usually require glass, metal, fluorinated HDPE or other single barrier containers.

Baritainers are impact resistant, lightweight, rugged, economical & stackable containers for chemicals. Baritainers are effective containers for solvents, esters, ketones and some acids.

EFFICACY:

- Solvents: up to 300x of HDPE
- Oxygen: up to 100x of HDPE
- Fluorinated: up to 2X more efficient barrier

COMPARED TO HDPE:

- Quoral BR is 100x more efficacious with hydrocarbon solvents
- Provides an excellent aroma barrier
- 2x to 5x improvement in O2 barrier performance

KEY APPLICATIONS:

QUORAL® (patent pending) based Baritainer Jerry Cans have been extensively tested both for efficacy and safety. They can be used to safely dispense, store and transport solvents such as household chemicals, industrial & laboratory chemicals and waste, cleaning solvents, adhesives, wood preservatives, automotive additives, chemicals in the agricultural, automotive photo chemical sector. Baritainers can be used to safely store and transport food ingredients, flavorings, edible oils, essential oils and other industry products such as cosmetics and fragrances. Baritainer Jerry Cans offer an attractive and environmentally friendly alternative to glass, metal containers, coextruded or fluorinated containers and other single-layer barrier containers, polyester and PVC containers.

SPECIFICATIONS:

UN X or UN Y rated Jerry Can with screw closure. Closure size: DIN 50 (4L, 5L, 10L) or Natural 70mm (20L) with tamper-evident system. HDPE maximum temperature: 248°F (120°C) and minimum temperature: -148°F (-100°C). Not autoclavable.

COMPOSITION:

Jerry Can: Natural, QUORAL® (pat. pend.) and HDPE
Screw cap: Black HDPE. Screw cap Inner liner: cross link polyethylene (4L, 5L, 10L) Natural HDPE with 3/4" NPT Center Reducer screw cap and EPDM liner (20L)

405594	-0004	-0001
Capacity gallons (liters)	1.1 (4)	1.32 (5)
Weight lbs (grams)	0.6 (286)	0.6 (272)
A - Length inches (mm)	7.25 (125)	7.5 (190)
B - Width inches (mm)	5.5 (140)	5.7 (145)
C - Height inches (mm)	8.3 (211)	9.2 (235)
D - Height to Handle inches (mm)	8.5 (216)	9.8 (250)
F - Neck inches (mm)	1.6 (41)	1.6 (41)
E - Cap	DIN 50	DIN 50
Price Each US \$	8.06	10.81

405594	-0002	-2070
Capacity gallons (liters)	2.64 (10)	5.28 (20)
Weight lbs (grams)	1.3 (590)	2.65 (1202)
A - Length inches (mm)	8.75 (222)	10.1 (265)
B - Width inches (mm)	7.25 (184)	10.9 (277)
C - Height inches (mm)	12.0 (305)	14.3 (363)
D - Height to Handle inches (mm)	12.5 (318)	14.7 (374)
F - Neck inches (mm)	1.6 (41)	2.755 (70)
E - Cap	DIN 50	70mm
Price Each \$	16.38	29.96



**NEW
50L**

Kartell

Heavy Walled Narrow Mouth Carboy Bottle HDPE*

Made from food grade chemical resistant HDPE. Especially suited for storing liquids. The HDPE closure contains tag holes for identification and a rubber o-ring for added security. Heavy duty swing handle aids in carrying.

208685	-0005	-0010	-0025	-0050
Capacity L	5	10	25	50
Bottle O.D. mm	163	210	379	366
Height mm	345	425	565	700
Neck NS	46	55	55	55
Handles	1	1	2	2
Price Each \$	28.45	43.70	67.84	142.10



Autoclavable Carboys and Large Bottles, PP*

- Range of high performance large bottles and carboys in a choice of three sizes
- Autoclavable PP, heavy-duty construction
- FDA compliant resin
- Stylish rounded octagonal shape for increased rigidity when full
- Offset neck for easier filling and pouring
- Integral, comfortable blow molded handles for ease of carrying are end-sealed to prevent contamination
- Heavy-duty closures are compatible with other leading brands
- Carboys feature a durable and leak-proof heavy-duty spigot with boss fitting for extra strength
- Spigot features removable tube fitting for added convenience
- Molded graduations allow easy viewing of contents

Azlon

CARBOY WITH SPIGOT

505634	-1	-2	-3
Capacity Liters	5	10	20
Cap size nom. mm	45	90	90
Height nom. mm	270.5	359	419
Width nom. mm	190	238	300
Length nom. mm	190	238	300
Price Each \$	61.47	86.52	103.63

BOTTLE (NO SPIGOT)

505634	-4	-5	-6
Capacity Liters	5	10	20
Price Each \$	39.23	64.70	81.82

505634-7 Replacement spigot - above carboys \$21.77 each



Kartell

Heavy Walled Wide Mouth Carboy HDPE with Neck Insert*

Ideal for liquid or powders. Made from food grade chemical resistant HDPE with LDPE neck insert plug that provides maximum security. Heavy duty swing handle aids in carrying. HDPE closure contains tag holes and finger grips for ease of opening. Heavy duty swing handle aids carrying.

208675	-0005	-0010
Capacity L	5	10
Bottle O.D. mm	163	210
Height nom. mm	315	390
Neck I.D. mm	90	120
Price Each \$	28.45	42.34

NEW 50L



Heavy Walled Narrow Mouth Carboy with Spigot, HDPE*

Made from food grade resin, the HDPE closure with tag holes includes an o-ring for added security. The spigot with gasket is leakproof and screws directly into a welded wall insert. Very resistant to many common chemicals, these carboys provide great value for the economical price. Heavy duty swing handle aids in carrying.

208605	-0005	-0010	-0025	-0050	212905
Capacity L	5	10	25	50	Spigot
Mouth I.D. mm	52.5	52.5	79.5	79.5	
Mouth O.D. mm	62.5	62.5	95.5	95.5	
Diameter O.D.	170	210	280	350	
Height w/ Handles mm	345	425	565	700	
Handles	1	1	2	2	
Price Each \$	43.23	53.70	86.25	176.87	8.84



Carboy, Light & Heavy Weight HDPE

This carboy range features large carrying handles and indented hand grips on bottom for easy carrying and pouring. These carboys are supplied with 63mm HDPE closures that are threaded and can be drilled to accept screw in faucets. Carboys are made with food grade resins, are leakproof but not considered to be a shipping container. Maximum temperature for HDPE is 110°C.

	405604	405614	405624	612935
Carboy Description	Light	Light	Heavy	PE Faucet
Capacity gallon(s)	5	2 1/2	5	N/A
Length mm	245	245	245	N/A
Height mm	342	185	342	N/A
Width mm	248	187	248	N/A
Pack Quantity	4	4	4	12
Pack Price \$	81.26	70.65	131.45	74.84

*Supplied by an ISO 9001 certified facility. Traceable food grade raw materials used in containment and dispensing products.



Straight-Side Containers PP

Supplied with white polypropylene linerless screw closures. Made of translucent, autoclavable polypropylene. These jars are economical and ideal for storage of lab specimens, supplies or powders. Many industrial applications. Maximum temperature polypropylene is 121°C.

	421115	421125	421135	421145	421155
Capacity ml	30	60	120	250	500
Diameter mm	43	53	70	89	89
Height w/ cap mm	43	47	60	66	97
Case Quantity	72	48	36	36	24
Case Price \$	102.74	73.30	87.94	113.05	113.49

	421165	421185
Capacity ml	950	1200
Diameter mm	120	120
Height w/ cap mm	100	132
Case Quantity	24	24
Case Price \$	168.56	215.17



High Strength Vials, HDPE*

- Leakproof
- Excellent chemical resistance

Sturdy, heavy walled vials, ideal for storing mercury etc. Small quantities of liquid or solid samples can be taken out by pipette / spatulas without the hindrance of internal shoulders.

226425	-0005	-0010	-0030	-0060	-0090	-0180
Capacity mL	5	10	30	60	90	180
Outer Diameter mm	21	21	35	35	54.5	54.5
Inner Diameter mm	17.6	17.6	31	31	50	50
Height mm	35.7	58.4	53	94.2	63.4	109.6
Wall Thickness mm	1.7	1.7	2	1.7	2.2	2.2
Weight Each lbs	0.024	0.028	0.048	0.063	0.097	0.134
Pack Quantity	10	10	10	10	5	5
Pack Price \$	40.79	49.07	56.75	69.17	42.92	50.84

Kartell



Kartell

Cylindrical Jars with Screw Caps, HDPE*

The cylindrical HDPE jars are supplied with insert and HDPE cap. Thanks to the large neck they are suitable for powders and solid specimens.

226415	-0070	-0120	-0250	-0500
Capacity mL	70	120	250	500
Diameter mm	50	56	69	86
Height mm	60	71	94	107
Pack Quantity	10	10	10	10
Pack Price \$	23.77	26.37	27.73	34.29

226415	-1000	-1500	-2000
Capacity mL	1000	1500	2000
Diameter mm	111	111	111
Height mm	128	182	235
Pack Quantity	10	10	10
Pack Price \$	45.28	52.32	59.35



Containers, Wide Mouth HDPE

Large, high density polyethylene utility jar with hundreds of uses around the lab. Wide mouth, natural color. Withstands temperatures to 110°C.

	626335	600335
Capacity gallons	1/2	1
Screw Cap mm	120	110
Height mm	160	254
Diameter mm	149	152
Closure mm	Polypropylene	Metal
Case Quantity	24	24
Case Price	95.09	171.94



Space Saver Container HDPE

- 5 Liter available with or without faucet

This rectangular HDPE bottle conveniently stores or dispenses 5 liters of liquid. Supplied with a standard closure, however the 38mm opening can also be secured with a dispensing faucet.

Space saver bottle dimensions: 14 1/2"H x 9 1/4"D x 2 1/2"W.

	405644	405654	405684
Description	Bottle	Faucet	Bottle with Faucet
Capacity liter(s)	5	NA	5
Pack Quantity	12	12	12
Pack Price \$	143.84	55.55	202.98
Price Each \$	11.99	4.63	16.92



Straight-Side Polystyrene Containers

Supplied with white polypropylene screw closures, these "glass-clear" polystyrene jars have many uses in the lab and industry. Lightweight and easy to fill. Maximum temperature polystyrene is 70°C.

	421205	421215	421195	421225	421235	421245
Capacity ml	60	120	180	240	480	1000
Diameter mm	53	70	70	89	89	120
Height w/ cap mm	47	60	72	66	97	100
Case Quantity	48	36	36	36	24	24
Case Price \$	72.31	84.15	96.07	108.43	102.53	156.98



Containers, Hinged Lid PE

These hinged lid containers are ideal for use just about anywhere. They feature a secure snap closure with hinged lid that eliminates lost caps. Containers offer air and moisture resistance to contents. Manufactured from flexible FDA approvable polyethylene resin.

226254	-0025	-0050	-1000	-1500	-2000	-4000
Capacity oz	.25	.5	1 flat	1	2	4
Height mm	13	19	25	38	41	86
Diameter mm	41	41	51	41	51	51
Case Quantity	100	100	100	100	100	100
Pack Price \$	37.09	41.50	57.27	57.43	67.73	89.15



226245 Series



Polystyrene Containers

Rigid-wall styrene containers with tight fitting polyethylene snap-on caps. Excellent for storing dry materials, powders, tablets, etc. Approximately 16 drams per ounce. 7 dram size may be used with automatic cell counters for collection of sample and, where venous samples are used, for dilution purposes. Maximum temperature polystyrene is 70°C.

426364	-03	-05	-07
Capacity drams (mL)	3 (8)	5 (17)	7 (24)
I.D. mm	17	22	26
Height mm*	48	50	50
Case Quantity	144	144	144
Case Price \$	49.56	50.66	55.09

426364	-10	-13	-15
Capacity drams (mL)	10 (40)	13 (48)	15 (57)
I.D. mm	27	30	33
Height mm*	82	72	62
Case Quantity	144	144	144
Case Price \$	71.40	80.43	82.57

426364	-20	-30	-40
Capacity drams (mL)	20 (69)	30 (113)	40 (145)
I.D. mm	38	46	45
Height mm*	63	75	98
Case Quantity	144	72	72
Case Price \$	100.53	70.27	81.48

*without cap

Vial Containers, Sample LDPE*

Kartell

General purpose containers with push-in friction fit hinged lids. Lightweight, wall thickness approximately 1mm. Withstands temperatures up to 80° C.

226245	-01	-02	-05	-08
Capacity ml	1	2.5	5	8
O.D. mm	8	14	15	17.2
Height mm	32	31.5	49	57.6
Pack Quantity	20	20	20	20
Pack Price \$	10.24	12.08	12.63	13.78
Case Quantity	100	100	100	100
Case Price \$	51.21	60.41	63.17	68.92

226245	-10	-25	-50
Capacity ml	7	20	35
O.D. mm	22.8	24.8	31
Height mm	32.9	74.5	74.5
Pack Quantity	20	20	20
Pack Price \$	16.32	31.39	38.09
Case Quantity	100	100	100
Case Price \$	81.59	156.96	190.47

*Supplied by an ISO 9001 certified facility. Traceable food grade raw materials used in containment and dispensing products.



Container - Cutting Board



Disposable Specimen Containers, HDPE and PPCO with LDPE Lids

- Choose either translucent or opaque containers
- Maximum temperature HDPE 110°C

Containers are HDPE except 8, 16, 32 oz natural and white, and 83 oz natural, which are PPCO, a copolymer of Polypropylene and High Density Polyethylene. PPCO offers a product with a higher temperature range while maintaining good impact strength. Recycling code is "5" for PP and the HDPE recycling code remains "2".

WHITE OPAQUE DISPOSABLE SPECIMEN CONTAINERS

	454395	454405	454415	454425	454435	454445
Capacity ml	120	240	480	960	2000	4800
Capacity oz.	4.2	7.7	15.5	34.5	70.1	168.8
Material	HDPE	PPCO	PPCO	PPCO	PPCO	HDPE
O.D. inches	3.2	3.1	3.6	4.6	5.9	8.1
Height inches*	1.8	3.5	4.0	5.3	6.6	7.8
Case Quantity	250	250	100	100	50	25
Case Price \$	153.20	147.87	72.62	120.97	113.49	107.84

ASSORTED DISPOSABLE SPECIMEN CONTAINER KIT

454455 Contains:	454395	454405	454415	454425	454435	454445
Quantity	25	20	20	20	10	5
Kit Price 100 Containers	\$102.17					



Cutting Board HDPE

White, easy-to-clean surface. Provides excellent surface for examining specimens, cutting, dissecting, etc. NSF, FDA and USDA approved material. Additional sizes and materials available upon request.

	116405	116415	116425	116435	116445
Length inches	12	15	18	18	11.75
Width inches	18	20	24	24	7.75
Height inches	0.5	0.5	0.5	0.75	0.5
Price Each \$	34.21	48.73	67.71	95.82	59.30

Both natural and white lids, all sizes, are made of LLDPE. Linear Low Density Polyethylene is tough like LDPE and a bit more rigid like HDPE, thereby allowing for a tight fitting lid. Recycling code is 4. Designed to simplify and standardize the handling and storage of specimens. The containers are inert and cannot be attacked by formaldehyde or weak acids or bases. Will resist freezing or boiling. They have long shelf lives and are easily disposable. Sturdy enough for reuse. Easy to store, requires little space. Price includes container with lid.

NATURAL DISPOSABLE SPECIMEN CONTAINERS

	453565	453595	453595L	453605
Capacity ml	120	240	240	480
Capacity oz.	4.2	7.7	7.7	15.5
Material	HDPE	PPCO	PPCO	PPCO
O.D. inches	3.2	3.1	4.875	3.6
Height inches*	1.8	3.5	1.875	4.0
Case Quantity	250	250	250	100
Case Price \$	146.06	147.16	154.68	75.73

ASSORTED DISPOSABLE SPECIMEN CONTAINER KIT

	453615	453625	453555	453635
Capacity ml	960	2000	2200	4800
Capacity oz.	34.5	70.1	83.6	168.8
Material	PPCO	PPCO	PPCO	HDPE
O.D. inches	4.6	5.9	6.4	8.1
Height inches*	5.3	6.6	6.6	7.8
Case Quantity	100	50	25	25
Case Price \$	120.16	105.43	68.06	114.86

*Dimensions with lid



Cylinder Drying Racks
Page 32



Conical Graduate PP* **Kartell**

- Withstands temperatures to 121°C

These polypropylene graduates have a wide base for stability and are designed for safe grip. Highly resistant to chemicals. Autoclavable.

	212205	212215
Capacity ml	100	250
Increments ml	2	5
Top Diameter mm	65	88
Height mm	120	160
Tolerance +/- ml	0.2	0.5
Case Quantity	6	6
Case Price \$	51.03	80.60

	212225	212235
Capacity ml	500	1000
Increments ml	10	20
Top Diameter mm	103	148
Height mm	180	270
Tolerance +/- ml	1	1
Case Quantity	6	6
Case Price \$	82.00	170.49



Slip-Stop Matting
Page 27



237735 - 237915



239005 - 239075

Economy Molded Cylinders PP & PMP*

Our most popular education cylinder line...

- Durable molded graduations
- Shatter resistant - reduce breakage & incidence of injury!
- Chemically resistant to most acids, bases and many common solvents
- Autoclavable
- Choose glass-like clarity of polymethylpentene (PMP) or
- Choose economical translucent polypropylene (PP)

These cylinders feature permanently molded graduations that will not fade after repeated autoclaving. Meets stringent international quality criteria according to ISO 6706 standards. Tolerances according to DIN 12 680 TT, Class B. Maximum temperature: PP 121°C, PMP 135°C

	237735	237745	237755	237765	237775	237885	237895	237915
Material	PMP	PMP	PMP	PMP	PMP	PMP	PMP	PMP
Capacity ml	10	25	50	100	250	500	1000	2000
Sub Divisions ml	0.2	0.5	1	1	2	5	10	20
Diameter mm	14	20	26	31	42	55	66	83
Height mm	140	170	200	250	315	360	440	535
Tolerance +/- ml	0.2	0.5	1	1	2	5	10	20
Case Quantity	20	20	20	10	8	6	4	4
Case Price \$	108.82	127.16	161.45	96.68	96.51	95.90	79.56	195.79

	239005	239015	239025	239035	239045	239055	239065	239075
Material	PP	PP	PP	PP	PP	PP	PP	PP
Capacity ml	10	25	50	100	250	500	1000	2000
Sub Divisions ml	0.2	0.5	1	1	2	5	10	20
Diameter mm	14	20	26	31	42	55	66	83
Height mm	140	170	200	250	315	360	440	535
Tolerance +/- ml	0.2	0.5	1	1	2	5	10	20
Case Quantity	20	20	20	10	10	8	6	4
Case Price \$	102.53	113.12	157.28	86.65	99.86	115.74	106.04	140.11

	239085	-0000	-0001	-0002
Material		PP	PP	PP
Consists of Capacities ml		10, 25, 50, 100, 250, 500, 1000	10, 50, 100, 250, 500, 1000	10, 50, 100, 500, 1000
Price Each \$		74.43	68.27	57.46

4 Liter Capacity



Cylinder Polypropylene 4 Liter

- Calibrated TC/TD In 20°C +/- 50mL
- Height w Base: 23 1/2"
- Subdivisions: 50mL
- Weight: less than 11 lbs when full to 4 L
- Compliant with US FDA 21 CFR 177.1520 for use with Food and Beverage
- Compliant with ISO 6706

A 4 Liter translucent polypropylene Cylinder in a Squat Format with graduations marked in blue print. 50mL increments with 500mL graduation lines printed around circumference. Less than 24" in height with stable 8" diameter octagonal base. The base unscrews from cylinder for ease of cleaning and storage. Use for measuring large volumes, mixing and making up solutions and buffers. Complies with ISO 6706 and US FDA 21 CFR 177.1520 for use with Food and Beverage. Autoclavable (repeated autoclaving may affect accuracy).

537835-4000 \$199.47 each



537815 series



537805 series

Printed Cylinders PP & PMP*

- Brilliant easy to read blue printed graduations
- Shatter resistant - reduce breakage & incidence of injury!
- Chemically resistant to most acids, bases and many common solvents
- Autoclavable
- Choose glass-like clarity of polymethylpentene (PMP) or
- Choose economical translucent polypropylene (PP)



These cylinders feature permanently easy to read blue screened graduations that resist fading and scratching after repeated autoclaving. Meets stringent international quality criteria according to ISO 6706 standards. Tolerances according to DIN 12 680 TT, Class B. Maximum temperature: PP 121°C, PMP 135°C

537805	-0010	-0025	-0050	-0100	-0250	-0500	-1000	-2000
Material	PMP	PMP	PMP	PMP	PMP	PMP	PMP	PMP
Capacity ml	10	25	50	100	250	500	1000	2000
Sub Divisions ml	0.2	0.5	1	1	2	5	10	20
Diameter mm	14	20	26	31	42	55	66	83
Height mm	140	170	200	250	315	360	440	535
Tolerance +/- ml	0.2	0.5	1	1	2	5	10	20
Case Quantity	20	20	20	10	8	6	4	4
Case Price \$	134.33	156.93	199.32	119.38	119.17	118.37	98.23	241.71

537815	-0010	-0025	-0050	-0100	-0250	-0500	-1000	-2000
Material	PP	PP	PP	PP	PP	PP	PP	PP
Capacity ml	10	25	50	100	250	500	1000	2000
Sub Divisions ml	0.2	0.5	1	1	2	5	10	20
Diameter mm	14	20	26	31	42	55	66	83
Height mm	140	170	200	250	315	360	440	535
Tolerance +/- ml	0.2	0.5	1	1	2	5	10	20
Case Quantity	20	20	20	10	10	8	6	4
Case Price \$	126.55	139.65	194.16	106.97	123.29	137.19	130.91	172.92



Cylinder Drying Racks
Page 32

Cylinder - Dipper



Cylinders, Squat Form, Polypropylene*

Azlon

- Squat design for increased stability on the bench and ease of handling particularly in restricted spaces
- Self-draining base eliminates water collection during washing in an automatic lab washing machine - thereby removing all spill re-wetting and contamination issues
- Clear molded blue over-printed graduations - always visible
- High clarity polypropylene - safe, unbreakable with good chemical and temperature resistance
- Anti suction base - no problems when working on wet surfaces
- Space saving storage with low form cylinder design

The squat design makes these translucent polypropylene products more stable on the bench than traditional glass or plastic cylinders and results in fewer spills or more serious accidents. They are easier to handle, particularly in confined spaces such as fume hoods. The lower form means you require less overhead storage space. Not only are the graduations molded into the product, but they are also overprinted in attractive Azlon blue ink. And these cylinders have a unique self draining base that will allow wastewater to drain when inverted in a dishwasher - a first from Azlon!

537835	-0100	-0250	-0500	-1000
Capacity mL	100	250	500	1000
Graduations mL	2.0	5.0	10.0	20.0
Tolerance +/- mL	2.0	5.0	10.0	20.0
Diameter mm	39	54	68	80
Height mm	160	190	215	282
Case Quantity	5	1	1	1
Case Price \$	49.50	13.24	17.12	22.40

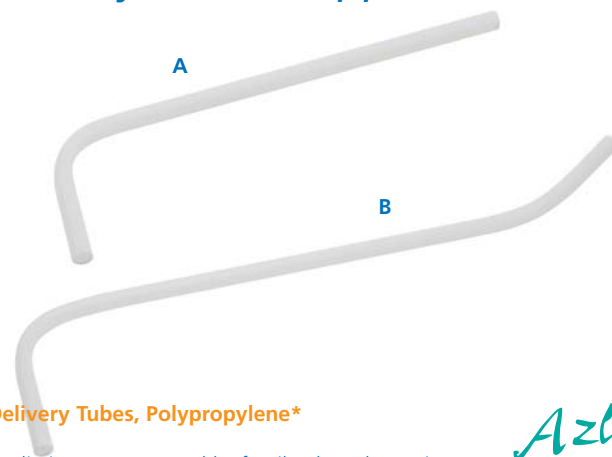
Dippers HDPE

- Graduated
- PVC hand grip
- 2 Pour spouts
- 500ml & 1000ml beaker

High density polyethylene dipper for removing samples from large tanks. Lightweight but durable. Available in seven popular sizes. 500mL capacity dippers feature graduation markings of 50ml and 1000mL is graduated in increments of 100mL. *12-foot size supplied with 2-piece handle for economy in shipping and storage. [Additional sizes available upon request.](#)

	107065	107075	107085	107095
Handle Length feet	1.5	3	6	12*
Capacity ml	500	500	500	500
Price Each \$	31.73	39.86	57.59	113.85

	106505	106515	106525
Handle Length feet	3	6	12*
Capacity ml	1000	1000	1000
Price Each \$	56.78	69.37	116.47



Delivery Tubes, Polypropylene*

Azlon

- Eliminate cuts caused by fragile glass alternatives
- Pre-bent rigid Polypropylene delivery tubes
- Unbreakable in normal use
- Suitable for many types of gas collection experiments
- 6mm OD fits 5mm stopper holes
- Available in two configurations

510864	-0001	-0003
Photo Reference	A	B
External Diameter mm	6	6
Internal Diameter mm	4	4
Pack Quantity	5	5
Pack Price \$	37.60	37.60



Lipsol® Detergent, Concentrate

- Ideal for soaking glass and plastic
- Free of chlorine bleaches phosphate and enzyme free
- Suitable for laboratory medical and industrial applications
- Not suitable for use on non-ferrous metals especially aluminum or zinc
- Not suitable for use on polycarbonate

Lipsol is a non-corrosive, fully biodegradable liquid concentrate, suitable for use with all types of laboratory glassware, ceramics, plastics, rubber, stainless steel and ferrous metals. Lipsol is a highly alkaline mixture of detergent, surfactant and chelating agent suitable for removal of most types of contamination by soaking or use in an ultrasonic bath; **not for use in dishwasher.** Lipsol is classified as a non-CORROSIVE. MSDS is available upon request.

504004

\$106.76 case of 2



MADE IN

 U. S. A.

*Supplied by an ISO 9001 certified facility. Traceable food grade raw materials used in containment and dispensing products.

Dish - Flask



High Impact Trays HIPS*

Kartell

Useful for the transport and benchtop storage of vials, bottles, containers, instruments and various laboratory accessories. Made of food grade high impact polystyrene. Very durable.

209295	-0001	-0002	-0003	-0004
Length inches	7.9	5.9	13.9	13.9
Width inches	5.9	3.9	10	10
Height inches	0.83	1.2	1.6	3.2
Price Each \$	9.62	10.73	19.77	27.93

209295	-0005	-0006
Length inches	16.1	16.1
Width inches	11.8	11.8
Height inches	0.8	3.2
Price Each \$	26.40	28.77

Dishes, Developing Flat Bottom, White HDPE

- Do not chip & are easily cleaned
- Use for spill tray w/ pouring lip
- Accept standard photographic paper
- Good for slide staining

	409204	409214	409224	409234	409244
Length inches	8.875	13.25	15.625	17.25	21
Width inches	6.875	11.25	13.375	14.375	17.5
Height inches	1.5	1.875	2.5	2.25	3.125
Price Each \$	9.38	17.50	27.30	28.70	45.50

	409254	409264**	409274**	409284**
Length inches	24	25.75	27.75	32.25
Width inches	20	21.75	23.5	27.5
Height inches	3	3.5	3.25	4.125
Price Each \$	58.10	86.81	95.20	134.88

** No pouring lip

Azlon



Draining / Cleaning Basket PP*

- Strong, lightweight rectangular basket
- Suitable for use as a draining basket, autoclave basket or for general storage
- Units stack when not in use to save space
- Excellent chemical resistance
- Autoclavable to 135°

546904

\$99.37 pack of 4



Glass Disposal Boxes

- Colorful graphics for quick identification
- Assembly instructions on each box
- Tough 2 mil polyethylene liner
- Folding design for shipping & storage
- Closure assures a safe, hygienic disposal
- Range of convenient sizes

	797005	797015	797035
Description	Floor	Bench	Intermediate
Length inches	12	8	12
Width inches	12	8	12
Height inches	27	10	20
Opening diameter inches	7	5	7
Case Quantity	6	6	6
Case Price \$	64.34	43.00	64.34



Erlenmeyer Flasks PP*

- Heavy walled, autoclavable, Erlenmeyer flasks with tooled necks
- Supplied complete with polypropylene stoppers
- Temperature characteristics and approximate graduations are clearly and indelibly printed on each flask

	541905	-0050	-0250	-0500	-1000
Capacity ml	50	250	500	1000	
Cap Size mm	19/26	29/32	34/35	34/35	
Base O.D. mm	56	84	107	130	
Height* mm	90	140	158	198	
Price Each \$	15.30	32.40	36.45	23.21	

* without stopper

Azlon



Volumetric Flasks PP*

Kartell

Molded to class B tolerance in translucent polypropylene with a tooled neck. Each flask is individually calibrated. Supplied complete with polypropylene stoppers and have the material and temperature characteristics printed in green.

241514	-0025	-0050	-0100	-0250	-0500	-1000
Capacity ml	25	50	100	250	500	1000
Height mm	121	143	174	225	265	325
Base O.D. mm	36	46	58	82	100	120
GL	18	18	18	25	25	25
Case Quantity	5	5	5	5	2	2
Case Price \$	75.08	80.75	95.18	105.47	47.67	60.44

Flask - Funnel



Volumetric Flasks with Stoppers, PMP*

Kartell

These crystal clear volumetric flasks create no meniscus so final readings are easy. Calibrated gravimetrically at 20°C. Thick walls eliminate distortion. Thin necks make final measurement precise. Autoclavable to 170°C. Chemically cleaner than glass and chemically non-absorbent. No wetting. Stopper included. Suitable for foodstuff.

241574	-0050	-0100	-0250	-0500	-1000
Capacity ml	50	100	250	500	1000
Neck Size	14/23	14/23	19/26	19/26	19/26
Height* mm	143	174	225	265	325
Base O.D. mm	46	58	82	100	120
Case Quantity	5	5	5	2	2
Case Price \$	96.88	114.21	126.53	57.23	72.55

*with stopper

Kartell

Conical Stoppers, PP*



Use with plastic or glass erlenmeyer or volumetric flasks. Stoppers manufactured to DIN Standards 12242 ensuring sealing action on nonstandard surfaces.

241415	-0001	-0002	-0003	-0004	-0005
Color	Brown	Yellow	Red	Black	White
Neck Size	14/23	19/26	24/29	29/32	34/35
Lower Ø mm	12,2	16.4	21.1	25.8	30.9
Case Quantity	2	2	2	2	2
Case Price \$	4.43	5.36	7.12	8.09	10.72



Powder Funnels PP

These wide stem, autoclavable funnels are translucent and allow for the passage of larger particles. Economical, fast and efficient.

342555	-0065	-0080	-0100	-0120	-0150
Top I.D. mm	65	80	100	120	150
Stem Diameter mm	16	22	23	27	29
Overall Length mm	68	75	94	110	138
Case Quantity	30	30	30	30	20
Case Price \$	118.44	140.40	168.71	202.26	159.87

POWDER FUNNEL SET PP	342555	-0SET
Contains funnels mm	65, 100 & 150 (2 each)	
Set Price \$	34.83	



Lightweight Funnels HDPE/PP*

Azlon

Economically priced ribbed funnels which prevent air lock and speed filtration. The two smallest sizes are HDPE, the remainder are PP.

542365	-01	-02	-03	-04
Material	HDPE	HDPE	PP	PP
Top I.D. mm	30	30	40	50
Stem O.D. mm	2	5	5	9
Overall Height mm	45	45	62	78
Case Quantity	10	10	10	10
Case Price \$	13.59	13.59	16.45	20.27

542365	-05	-06	-07	-08
Material	PP	PP	PP	PP
Top I.D. mm	75	100	120	150
Stem O.D. mm	10	13	14	17
Overall Height mm	107	149	170	210
Case Quantity	10	10	5	5
Case Price \$	24.58	43.38	29.96	42.52

542365	-0SET
Set Contains funnels mm	50, 75, 100 & 120 (1 each)
Set Price \$	16.23

Funnel - Inoculating Loops



Utility Funnels PP/HDPE

Utility funnels made of polypropylene or high density polyethylene. They are inexpensive, lightweight and designed for general use. The 162mm size (412334-0005) has a very large throat opening.

412334	-0001	-0002	-0003	-0004	-0005	-0006
Material	PP	PP	PP	HDPE	HDPE	HDPE
Holding capacity oz	2	4	8	16	32	64
Top Diameter mm	70	89	108	127	162	203
Height mm	70	102	121	146	178	203
Case Quantity	36	36	24	24	12	12
Case Price \$	57.96	68.98	68.07	98.07	100.85	136.71

212195	-0001
Set Contains funnels oz	4, 8, 16, 32, 64 (1 each)
Set Price \$	31.66



Kartell Buchner Funnels PP*

Molded of polypropylene, these funnels are unbreakable and resistant to corrosion and heat, and easily separated for cleaning. Can be used without risk with Erlenmeyer flasks. Optional disks for funnels sold separately. Molded of polypropylene for

corrosion resistance, withstands high temperature. No special flask is required. The funnels are supplied with rubber gaskets allowing them to rest on almost any container. Light in weight, more stable than glass or porcelain funnels. Can be taken apart for easy cleaning. The smallest size fits bottles with opening from 20 to 57 mm, medium size from 25 to 75 mm, largest size from 30 to 100 mm.

242835	-042	-055	-070	-090	-110
Filter Paper Size mm	42.5	55	70	90	110
Holes mm	1.2	1.1	2	2.5	2.5
Capacity ml	40	70	180	390	810
Case Quantity	12	8	6	4	4
Case Price \$	117.61	106.11	91.14	92.65	137.26

242835	-150	-240
Filter Paper Size mm	160	240
Holes mm	2.75	3
Capacity ml	2,100	6,000
Case Quantity	4	2
Case Price \$	230.95	224.43



Supports for Kartell Buchner Funnels*

Set of 7 adapters for Buchner funnels, manufactured of Neoprene rubber. INCLUDES 1 EACH OF BELOW

O.D. mm	Taper Size	I.D. mm	Height mm
21 x 11		17 x 7	21
27 x 16		22 x 11	22
37 x 22		31 x 16	25
46 x 29		39 x 22	29
58 x 38		50 x 30	35
69 x 45		60 x 36	40
86 x 57		75 x 46	45

242864

Price Per Set \$37.84



Discs for Buchner Funnels HDPE* Kartell

Made from high density polyethylene, these discs have excellent chemical resistance. They are useful for holding up filter paper. In this way the blocking of the holes is avoided and the filtering surface of the funnel is free. Will withstand temperatures up to 110°C. Mesh size 950 x 700 microns.

242845	-042	-055	-070	-090	-110
Filter Paper Size mm	42.5	55	70	90	110
Case Quantity	50	50	50	50	50
Case Price \$	61.51	66.51	69.21	74.35	79.86

242845	-150	-240
Filter Paper Size mm	160	240
Case Quantity	50	50
Case Price \$	94.91	127.32



Sterile Inoculating Loops and Needles PS*

Kartell

These inoculating loops have been manufactured by using a special raw material which allows flexibility and high resistance to breakage. In addition, one end of the inoculating loop has been designed to be used as an inoculating needle, giving these loops a double purpose. Sterile, disposable and color-coded.

	226505	226515
Color	Blue	Clear
Capacity µl	10	1
Quantity Per Bag	20	20
Case Quantity	1000	1000
Case Price \$	106.33	106.33

Instrument Cover - Melting Point



Instrument Dust Cover, Acrylic

- Transparent acrylic
- Power cord opening
- Custom sizes available upon request



Made of transparent acrylic with an opening for the power cord(s), the instrument Dust

Cover offers an inexpensive way to help protect instruments. Small handle on top allows for easy removal.

171004 Instrument Dust Cover 15 x12 x 8" \$72.22 each



NEW Design

Digital Melting Point Device

- Space saving compact design.
- Digital LED temperature display with 0.1°C resolution.
- 3 indicator lights (Heating, Fast, Slow) advising the procedure in process.
- Heating block with plastic cover to protect the user; cover is easily removed for cleaning.
- Magnifying lens that allows a view of up to two samples illuminated clearly by a built in LED light.
- Adjustable Slow Speed temperature ramp rate from 1°C to 10°C.
- Fast Stage temperature set that saves time prior to carrying out the melt procedure.
- Metal feet that extend and help provide an appropriate viewing angle.
- "Read" button that captures the melt temperature allowing for an accurate recording
- Self calibration screw

The Dynalox DMP100 Melting Point Device is a convenient, safe, fast and easy to use digital product that determines the melting point of a substance without the need for a mercury thermometer. The DMP100 makes measurement simple and is ideal for use in educational chemistry labs. It can be an indispensable bench top tool for the modern science education laboratory and for select industrial application areas such as quality control testing for the purity of pharmaceutical and other organic crystalline solids. Priced economically with a 3 year warranty.

The DMP100 includes an Operations Manual with detailed use instructions and one pack of 100 glass capillary tubes, open on one end.

Dimensions:6.3 x 8.7 x 6.7" (l x w x h)
 Weight4lb
 Electrical Supply120V, 60Hz
 Temperature RangeAmbient Temperature to 300°C
 Accuracy of+/- 1°C at 20°C; +/- 2.5°C at 300°C
 Digital Display/Resolution4 Digit LED/0.1°C
 Temperature Ramp Rates
 Fast Temp Rate20°C
 Slow Temp RateBetween 1°C and 10°C
 LED Indicator Lights



DMP100	Melting point device, with pk/100 melting tubes, closed one end.	\$999.00 each
DMP100/10	Glass melting tubes, sealed one end	\$10.48 pack 100
SMP1/4	Glass melting point tubes, open ends	\$39.59 pack 100
SMP2/1	Glass melting point tubes, sealed ends	\$62.42 pack 100

Slip-Stop Matting - reusable and washable

- Put an end to slips and messy mishaps anywhere
- Tacky mats hold objects firmly in place
- Contribute to safety by reducing glass breakage
- Use with shakers and stirrers to hold flasks
- Additional sizes available upon request

171004 Slip-Stop Matting 6 x 16 x 1/31" \$9.09 each



BenchGuard™ "Totally Absorbing"

BenchGuard and BenchGuard Extra have highly absorbent upper surfaces that contain spills and a tough polycoated base to protect your work surface. Standard BenchGuard absorbs up to 400ml per square meter. For your most demanding applications choose BenchGuard Extra - it absorbs up to 800ml per square meter. BenchGuard and BenchGuard Extra are available in either pre-cut sheets or a roll dispenser that has a built in cutting edge for easy cutting of any size sheet.

504314	-0001	-0002
Description	Regular roll	Extra absorbent roll
Length meters	50	50
Width cm	49	49
Price Each \$	163.65	216.20

504314	-0003	-0004
Description	Regular Wallet	Extra absorbent wallet
Length cm	60	60
Width cm	49	49
Case Qty sheets	50	50
Case Price \$	188.09	107.49

*Supplied by an ISO 9001 certified facility. Traceable food grade raw materials used in containment and dispensing products.

Petri - Pipette

NEW



NEW Petri Dishes

- Transparent Polystyrene and optically clear
- Stackable
- For single use
- Sterile by irradiation (-0000 is gamma; -0004 is E-Beam irradiated)

- Consistent flatness allows for even media distribution
- Certificate of Sterilization upon request
- Traceable by batch number

402024	-0000	-0004
Size mm (nominal)	100	100
Color	Clear	Clear
Vents	None	Four
Dishes per Sleeve	20	25
Quantity per Box	480	500
Case Price	\$121.44	\$126.48



Petri Dishes*
- now available in sleeves of 20 each!



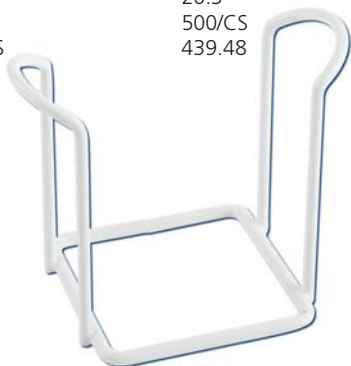
All Sterilin petri dishes are manufactured under strict aseptic conditions within a Class J clean room which complies with BS 5295.

Petri dishes remain under clean room conditions throughout the manufacturing process. An in-house microbiology laboratory performs all the necessary testing, including that of sterility.

Sturdy polyethylene sleeves which exceed BS611 Part II are used to pack all Petri dishes. An inner liner

compartments the carton and ensures that Petri dishes arrive in perfect condition. All cardboard used is of recycled grade.

502014	-07	-07P
Size mm (nominal)	50	50
Color	Clear	Clear
Vents	Single	Single
Base Diameter mm	49.98	49.98
Height mm	20.3	20.3
Quantity	500/CS	20/PK
Case Price \$	439.48	18.46



Petri Dish Stand, Epoxy Coated*



These useful stands will hold up to six 100mm petri dishes. Manufactured from epoxy coated steel they are fully autoclavable and ideal for small batch incubation.

503175-0001 \$83.33 pack of 4



Disposable Pipettes PS* - now available in packs!



- Sterility guaranteed by gamma irradiation
- Excellent accuracy, better than $\pm 1\%$
- Crystal grade polystyrene for improved clarity
- Easy-open color-coded tear strips
- Ascending and descending graduations for accurate pipetting
- Drawn tips allow every drop to drain freely
- Special products manufactured to customer specifications

Crystal grade polystyrene is used for consistency in manufacture and maximum clarity, with easy to read crisp black printed graduations enabling the pipettes to be used accurately to $\pm 1\%$. Sterility is guaranteed by gamma radiation at a license holding irradiation plant, which follows the relevant recommendations in the DHSS Guide to Good Manufacturing Practice for Sterile Medical Devices and Surgical Products. Sterilin pipettes are tested for pyrogenicity, and have a pyrogen level of less than 0.25 EU/ml. All listed pipettes are individually wrapped.

502754	-01	-02	-03	-05	-18
Size ml	1	2	5	25	10
Suction Adapter	No	No	Yes	Yes	Yes
Overall Length mm	279	279	298	348	333
Packaging	Single	Single	Single	Single	Single
Graduations ml	0.01	0.01	0.1	0.2	0.1
Type	Standard	Standard	Standard	Standard	Standard
Adapter Diam. mm	4.8	5.0	6.45	8.0	7.40
Pack Quantity	100	100	50	25	50
Pack Price \$	25.90	26.25	21.04	30.88	21.91
Case Quantity	1000	1000	200	200	500
Case Price \$	207.10	209.89	67.32	197.79	175.31



Droppers, Bellow-Type Bulb LDPE*



One piece droppers are particularly useful for all applications where the risk of infection or toxicity prohibits mouth pipetting. Graduated to give an indication of the amount of liquid being drawn. Extremely easy-to-use bellows-shaped leakproof bulb provides excellent drop formation.

	262175	262185
Length mm	132.5	194
Stem Diameter mm	7	7
Capacity Draw ml	1.5	5.0
Case Quantity	100	100
Case Price \$	28.61	30.10

Pipette - Pipette Device



NEW

NEW Wide Orifice Graduated Pipette

- Sampling small volumes of viscous substances
- 10mL capacity with 0.1mL sub divisions

Translucent polypropylene. Resistant to breakage. Blue graduations, ring mark and inscriptions. Use with pipettor. Recommended cleaning with mild alkaline detergent up to 60°C. Note: Exposure to temperatures above 60°C may cause volume changes. **Additional sizes available upon request.**

102774-0010

\$15.06 each

Graduated Measuring and Volumetric Pipettes PP

Translucent polypropylene. Resistant to breakage. Blue graduations, ring mark and inscriptions. Ideal for fluoro and silicate chemistry. Recommended cleaning with mild alkaline detergent up to 60°C. Note: Exposure to temperatures above 60°C may cause volume changes.

GRADUATED PIPETTES PP

302765	-0001	-0002	-0005	-0010
Capacity ml	1	2	5	10
Error Limit +/- mL	.02	.02	.03	.04
Sub Divisions ml	0.1	0.1	0.5	0.1
Case Quantity	12	12	12	12
Case Price \$	148.72	163.67	174.37	180.73

VOLUMETRIC PIPETTES PP

303005	-0001	-0002	-0005	-0010	-0025	-0050
Capacity ml	1	2	5	10	25	50
Error Limit +/- mL	.02	.02	.03	.04	.06	.1
Case Quantity	12	12	6	6	6	6
Case Price \$	155.30	159.50	148.85	185.03	191.38	339.37



Levo Pipette Controllers

- Comfortable – simple to use
- Precise pipetting – use with glass or plastic volumetric and graduated pipettes from 0.1 to 100mL
- Blow out feature
- Uses protective/replaceable syringe filter - easy access
- 4 colors available for quick identification.

411125	-0001	-0002	-0003	-0004	722912
Color	Blue	Green	Yellow	Pink	Filter
Length inches	8	8	8	8	Inline PTFE
Width inches	2	2	2	2	3 micron
Price Each \$	53.15	53.15	53.15	53.15	5.26



Disposable Micropipette Tips, Economy

Universal yellow and blue tips are designed to fit a wide range of micro pipettes, Eppendorf Type such as Brand, Gilson, Finn pipette and Socorex - Graduated. *Approximately 4% of Blue tips have reference marks for positive quality control.

	262205	262215	262245	262265	262275
Capacity µl	1-200	101-1000	5-200	5-200	201-1000
Color	Yellow	Blue	Neutral	Neutral	Neutral
Description	Universal	Universal	Oxford Slim	MLA	MLA
Case Quantity	1000	1000	1000	1000	1000
Case Price \$	32.60	28.48	33.49	30.07	48.89



Kartell

pi-pump®Fast Release*

Many years of trouble-free use have made the pi-pump® one of the world's most popular pipetting aids. Accurate, precise and safe—even for use with toxic or corrosive chemicals. Simply rotate the wheel forward or backward for easy and precise filling or emptying. Color-coded by size for easy identification. When the wheel is stopped, the piston remains in the required position and holds the liquid inside until ejected. pi-pump® provides a firm, positive fit for all standard pipettes.

	311065	311085	311105
Color	Blue	Green	Red
For Pipettes Up To ml	2	10	25
Pack Quantity	12	12	12
Pack Price \$	295.18	298.11	356.75

*Supplied by an ISO 9001 certified facility. Traceable food grade raw materials used in containment and dispensing products.

Pipette Device - Rack



MiniFIX Micropipettes*

- Good for ~5,000 pipettings
- Fixed volume from 5uL to 1000uL
- Cost effective, Autoclavable
- Ideal in schools for routine applications where speed and precision is required
- Color-coded button for easy volume identification
- Accommodates all common tips

Kartell

This line of fixed volume mini-micropipettes consists of ten pipettes covering the range from 5 uL to 1000 uL. These pipettes feature a compact design, with a length of approximately 13cm, and weight of less than 10g. They are single blister packed, with calibration and performance certification. Each MiniFIX is marked with its volume, and the push button is color coded for easy "volume" identification.

240234	-0005	-0010	-0020	-0025	-0050
Volume uL	5	10	20	25	50
Accuracy %	±1.5	±1.0	±0.5	±0.5	±0.4
C.V. %	±1.0	±1.0	±0.5	±0.5	±0.3
Price Each \$	23.41	23.41	23.41	23.41	23.41

240234	-0100	-0200	-0250	-0500	-1000
Volume uL	100	200	250	500	1000
Accuracy %	±0.3	±0.3	±0.3	±0.3	±0.3
C.V. %	±0.3	±0.2	±0.2	±0.2	±0.2
Price Each \$	23.41	23.41	23.41	23.41	23.41



MiniFIX Rack



Made of transparent acrylic, the MiniFIX Microliter Pipette Rack will hold up to 5 microliter pipettes. Helps to organize your lab and keep the pipettes at your finger tips. Product dimensions: 7" L x 6"W x 7"H O.D. Additional sizes available upon request.

140234 \$32.51 each



Pump, Water Jet Vacuum

The ideal instrument for generating vacuum and extracting liquids and vapors. The flow configuration has been optimized resulting in a reduction of water consumption to one third of customary values (190 Liters per hour at 3.5 bar water supply pressure). The maximum pressure of 16 m bar is reached across a wide range of water supply pressures (from 3 to 6 bar). The suction capacity is approximately 400 Liters per hour of air (against atmospheric pressure at a water supply pressure of 3.5 bar at 12°C).

312635

\$41.00 each



Kartell

Automatic Pipette Washing Set*

Solve the problem of washing pipettes speedily, safely and with little effort. Dirty pipettes soak in the

pipette basket in the pipette jar and the basket is transferred to the washer where a constant flow of tap water rinses the pipettes clean.

	215905	215915	215925	215905-0001
Description	Washer	Jar	Basket	Complete Set
Height inches	25.5	25.5	26	25.5
Diameter inches	6.5	6.5	5	6.5
Price Each \$	281.61	130.60	86.35	482.73



Burette Rack, Wall Mounted, PP

- Safely organizes up to 10 glass or plastic burettes depending on length
- Additional sizes available upon request.



185514-4490

Depth inches	3
Width inches	18.5
Height inches	20.25
Weight lbs	4
Price Each US\$	217.55



Pipette Rack Acrylic

Clear acrylic pipette rack permits easy storage and access to pipettes. The four shelves have an upward angle for secure storage and easy access. Measures 3 3/8" W x 12 1/4" D x 13" H O.D. Additional sizes available upon request.

186665

\$139.17 each



Thermometer Rack HDPE

Suitable for holding up to 25 thermometers in the correct vertical position, thus avoiding mercury separation, which may occur when thermometers are stored improperly. Manufactured from 1/4" high density polyethylene, the rack is sturdy and will not tip. Sides have large comfortable carry handles for easy transport of the thermometers. Hole diameters in top and middle plates 5/16". The bottom plate has convenient 1/8" drain holes. Overall dimensions are 8" W x 10" H x 5 3/4" D. Additional sizes available upon request.

103205

\$45.10 each



Drying Rack Epoxy Coated *Azlon*

- High quality draining racks suitable for use with plastic and glass labware
- Made of chemically resistant epoxy coated steel
- There are 8 pegs 110mm long and 24 pegs 80mm in length
- Overall dimensions of the rack are 410 x 300mm
- A free-standing version of the rack is available for bench top use

559165

-0000

Description	Rack	Rack with integral free-standing support
Price Each \$	75.96	110.54



For Wall Mount

Drying Rack High Impact Polystyrene

Kartell

- Expandable, fasteners to connect additional racks included
- Interchangeable, removable pegs
- NEW Acrylic stand for our most popular drying rack

This 72 place drying rack is molded of high impact polystyrene. It comes supplied with 72 large pegs, draining tubes, fastening stoppers, and expansion hanging hooks which allow coupling with additional racks. The pegs are 4" long and the drip ledge measures 3".

For Bench Top



Drying Rack Stand, Acrylic



Acrylic stand for our most popular drying rack! This sturdy stand is fabricated of 3/8" clear acrylic adding style and function to a normally wall mounted rack (259184-0000). The 4.5 lb stand includes all hardware needed to attach to the drying rack. The rack can be tilted up to 20° for added stability and ease of use. Rack can be used vertically or tilted to 20° for added stability and ease of use.

Description	259184 Rack	259194 Test Tube Pegs Bag of 11	159184-0001 Stand
Width inches	17	N/A	17
Height inches	24	N/A	21
Price Each \$	268.41	22.44	80.33

Rack - Scoop



Microcentrifuge Tube Rack PP

- Step design for easy viewing
- Two sizes: 1.5ml or 0.5ml

Racks allow storage of 20 micro test tubes and are available in two

models, one for 1.5 ml tubes and one for 0.5 ml tubes. Top step is numbered from 1 to 10, lower step is numbered from 11 to 20. Made of autoclavable polypropylene. Each rack measures 206 x 88 x 47 mm (approximately 8 1/8" x 3 1/2" x 1 7/8"). Hole I.D. for 1.5ml tube rack is 1/4" and for 0.5ml tube rack is 3/8".

202965-0001	Rack for 1.5ml tubes	\$92.08 pack of 6
202965-0002	Rack for 0.5ml tubes	\$92.08 pack of 6



225665-0002



225645-0002



225655-0002

Wet/Dry Test Tube Racks PP*

- Solid High Density PP; Autoclavable at 121°C
- Will not rust or corrode makes epoxy-coated wire racks obsolete
- Supplied flat for economical storage and shipping
- Can be used dry or wet in water baths

These racks provide excellent stability with no tendency to float or move in circulating water baths. An alpha numeric grid reference on the top tier enables precise location in the rack of particular samples. Shipped flat, easily and permanently snapped together to save shipping expense and reduce shelf space needed in storerooms.

	225645-0002	225655-0002	225665-0002
Color	Blue	Blue	Blue
Holds # of Tubes	90	60	40
Size of Tubes mm	13	16	20
Case Quantity	5	5	5
Case Price \$	79.31	79.31	79.31



Scoops, Flat Bottom HDPE

Heavy duty scoops with many industrial and laboratory applications. Suitable for liquids and powders.

	606055	607105	606065	606075	607115
Bowl Length inches	2 1/2	3	4 1/4	5 1/4	5 3/4
Bowl Width inches	1 1/4	1 3/4	2 3/4	3	3 1/4
Liquid Capacity ml	15	25	65	110	150
Handle Length inches	1 3/4	2	2 3/4	3	3 3/4
Case Quantity	12	6	6	6	6
Case Price \$	19.15	11.75	14.81	19.42	32.68

	607135	607175	607145
Bowl Length inches	7 1/2	9 1/2	10 3/4
Bowl Width inches	4 3/4	6 1/4	6 3/4
Liquid Capacity ml	350	750	1250
Handle Length inches	4 1/4	4 1/2	5
Case Quantity	6	6	6
Case Price \$	67.26	126.71	242.27



Volumetric Scoops, Flat Bottom PP

Kartell

Autoclavable Polypropylene scoops shaped conveniently for sampling solids or liquids. Flat bottom with beveled angles for easy cleaning. Marked in milliliters. Suitable for foodstuff.

208065	-0010	-0025	-0050	-0100	-0250	-0500	-1000
Length mm	32	43.8	55.4	67	94	112	141
Width mm	103	137	163	201	261.5	315	386.6
Height mm	16	21	26	34	43.7	55	69.4
Liquid Capacity ml	10	25	50	100	250	500	1000
Case Quantity	4	4	4	4	2	2	2
Case Price \$	7.73	10.72	17.48	24.59	26.09	39.29	46.20

Scoops, Economy Round Bottom HDPE*

Kartell

Designed for heavy industrial and laboratory applications, the round shape design facilitates complete transfer of the sampling material. Suitable for food grade products.

208075	-0250	-0500	-1000	-1500
Capacity ml	250	500	1000	1500
Case Quantity	5	5	5	5
Case Price \$	42.86	51.54	71.52	79.15



Dynalon Labware

Kartell

Slide Dispenser, Automatic*

Holds approximately 50 standard 3" x 1" (76 x 26mm) slides in transparent, dust-free container. By turning either side knob, the slides are ejected one at a time. Dimensions: 4 1/4" x 5" x 5 1/2" high.

245605 \$293.70 case of 6



Spatula, Polyamide* - 2 in 1 design

Kartell

These polyamide spatulas are glass fiber reinforced and are available in double spatula or a spatula spoon combination style. Polyamide is a very strong material with good chemical resistance against solvents; caution with acids and oxidizing agents.

391925	-0001	-0002	-0003
Description	Double spatula	Double spatula	Spatula/spoon
Length mm	150	180	180
Case Quantity	50	50	50
Case Price \$	101.01	104.67	121.74



Spatulas/Stirrer Nylon®

Molded of Nylon®. Handy stirrer or spatula has wide thin blade 3 1/2" long, 1 3/4" wide. Overall length is 10". Packed 24 per case.

412575 \$96.20 pack of 24



Spatula, Stirring Rod PP*

Kartell

These white, one-piece polypropylene rods may be used as stirring rods. Policemen have two types of flattened ends which form small spatulas. 245mm (approximately 9 1/4") long.

212455 \$146.50 case of 70



Spot Plates LDPE*

Kartell

These spot plates have three depressions 21mm x 7mm deep. Tray is 28mm x 85mm. Made of low density polyethylene and will withstand temperatures to 80° C.

255225 \$71.22 pack of 40



Spot Plates PP*

Azlon

Comprises of 12 cavities, approximately 1 ml capacity. Is an economically priced, high quality, unbreakable spotting tile. Autoclavable.

555215 \$68.38 pack of 10



Octagonal Stirring Bars PTFE*

- Our stir bars feature... ALNICO V magnetic cores which are one of the most powerful permanent magnet alloys available.
- Stir bars should not... be stored in a random mass or dropped on a hard surface, especially steel.
- Stir bars should... be stored in pairs to maintain magnetic strength.
- In general...PTFE thickness accounts for 18% of stir bar diameter.

303275	-0001	-0002	-0003	-0004	-0005	-0006
Length mm	22	13	13	15	25	28
Length inches	7/8	1/2	1/2	5/8	1	1 1/8
O.D. mm	8	3	8	8	8	8
O.D. inches	5/16	1/8	5/16	5/16	5/16	5/16
Case Quantity	12	12	12	12	12	12
Case Price \$	47.12	42.50	43.59	44.01	46.79	50.55

303275	-0007	-0008	-0009	-0010	-0011	-0012
Length mm	38	41	51	64	13	15
Length inches	1 1/2	1 5/8	2	2 1/2	1/2	5/8
O.D. mm	8	8	8	8	10	10
O.D. inches	5/16	5/16	5/16	5/16	3/8	3/8
Case Quantity	12	12	12	12	12	12
Case Price \$	52.85	62.23	65.98	111.16	50.55	56.64

303275	-0013	-0014	-0015	-0016	-0017	-0018
Length mm	22	25	35	38	48	51
Length inches	7/8	1	1 3/8	1 1/2	1 7/8	2
O.D. mm	10	10	10	10	10	10
O.D. inches	3/8	3/8	3/8	3/8	3/8	3/8
Case Quantity	12	12	12	12	12	12
Case Price \$	59.78	59.25	69.10	69.10	88.88	93.75

303275	-0019	-0020	-0021
Length mm	64	38	75
Length inches	2 1/2	1 1/2	3
O.D. mm	10	13	13
O.D. inches	3/8	1/2	1/2
Case Quantity	12	12	12
Case Price \$	105.15	144.57	192.55

Stirring Bar - Tote



Octagonal Stirring Bar Kit PTFE

Contains 16 octagonal stirring bars. Designed to meet your requirements for a variety of sizes, each kit contains 16 stirring bars packed in a reusable box.

Kit contains:

- (2) each 5/16x1/2" (8x13mm)
- (2) each 3/8x2" (9.5x51mm)
- (2) each 5/16x5/8" (8x16mm)
- (2) each 3/8x2 1/2" (9.5x64mm)
- (2) each 3/8x1" (9.5x25mm)
- (2) each 2x7mm Micro Bars
- (2) each 3/8x1 1/2" (9.5x38mm)
- (2) each 3x10mm Micro Bars

303595

\$93.37 each



FREE Stir Bar sample pack
Telephone 800-334-7585 or
e-mail customer service at
Dynalinfo@dyna-labware.com

Stirring Bars PTFE at Disposable Prices*

	303644	303664	303684	303694
Length mm	12	25	35	50
Length inches	1/2	1	1 3/8	2
O.D. mm	4	5.5	6	7.5
O.D. inches	3/16	3/16	1/4	1/4
Case Quantity	100	100	100	100
Case Price \$	206.16	278.86	312.67	421.14



Autoclave and **NEW** Dry Heat Sterilization Tapes, 50 Meters*

Use these tapes to enhance confidence that sterilization has occurred. #202065 is used with autoclave sterilization (20 min. at +121°C or 10 min. at +125°C or 5 min. at +135°C). #202075 is for use with Dry Heat Sterilization. Color changes from white to brown for both products. These tapes conform with ISO 11140/2005.

202065
202075

Autoclave Sterility Tape
Dry Heat Sterility Tape

\$24.59 per roll
\$52.85 per roll



Round Bowl 10L PP* **Kartell**

This autoclavable white bowl is a sturdy product. The rim helps contain contents. Two grips in the lower part of the rim aid carriage.

208135

\$15.09 each



Deep Tray, HDPE*

Kartell

- Low form and stackable, with handles for transporting and managing spills

	208154	-0010	-0016	-0020
Capacity L	10	16	20	
Length inches	12.2	13.8	16.1	
Width inches	16.3	21.3	18	
Height inches	3.8	4.5	5.6	
Price Each \$	28.85	50.72	54.36	

Kartell



Deep Draining Tray, Low Form*

- HDPE
- Draining ports on all sides

Rectangular tank with draining ports on all sides. Stackable with recessed rim to allow ventilation. Useful for holding defrosting samples, plant cultures etc. Product Dimensions (l x w x h): 13.8" x 21.3" x 4.5"

209154

\$57.70 each

Magnetic Stirrer, Non-Electric*

Kartell

Unique stirrer, operated by water pressure between 15 and 40 psi, will work on air pressure as well. Stirs 500ml of water at 800 rpm with air at 8 psi or with water at 12 psi. Connects to pressure line with fitting supplied. No electric supply needed. All-plastic construction is corrosion-proof. No danger of explosion or shock. Can be used on a table or clamped to a stand with 1/2" diameter. Supplied complete with 6 ft. of vinyl tubing for inlet and outlet. Dimensions are 5" x 2 5/8" high.

204015

\$117.48 each

Cover available for 410535



Sterilizing Tote Boxes PP

Molded of natural polypropylene. Suitable for food use. These tote boxes are chemically resistant to acids, alkalies, oils and detergents and will not rust or corrode. Can be nested when stored.

	410535	410535-1	410545	410555	410565
Length inches	12	Cover	19	20 1/4	15 1/4
Width inches	7 3/4	for	10 1/4	15 1/4	13
Depth inches	5 1/8	410535	5 1/8	5	7 7/8
Case Quantity	6	6	6	6	6
Case Price \$	92.29	82.98	161.02	221.01	211.99



Utility Pan LDPE

Molded of low density polyethylene. Extra sturdy with carrying handles on both ends. Dimensions: 14 1/2" x 12" x 6 1/4" deep.

409144

\$68.13 pack of 4



Utility Carrier HDPE

Useful for carrying lab items, bottles, samples, cleaning aids, tools, etc. Molded-in center division and carrying handle. Dimensions: 17 5/8" x 12 5/8" x 9 1/4" high.

408164

\$82.14 pack of 6



DCL DyNAcyler Thermal Cycler

- Education or personal cycler
- Flexible block format
- Fast ramp times
- 120V/230V
- 4 year warranty

DyNAcyler DCL: The Afon DCL 20, 25, 30 and 48 are designed with today's labs in mind. The user friendly programming can perform virtually any protocol, and the light weight and small footprint provide the lab with an essential yet compact unit.



Visit www.dynalab.com for Thermal Cycler product specifications.

DCL20	DyNAcyler DCL, 20 x 0.5ml microtubes	\$2576.99 each
DCL25	DyNAcyler DCL, 25 x 0.2ml microtubes	\$2576.99 each
DCL30	DyNAcyler DCL, 30 x 0.5ml microtubes	\$2835.83 each
DCL48	DyNAcyler DCL, 48 x 0.2ml microtubes	\$2835.83 each



Section Trays

Both sizes below interlock to help you organize supplies. Use separately or make an endless number of sections or combinations. Can be fitted in drawers, on shelves or benchtops. Each section hooks to the adjoining one so that they are never disarranged. Nestable to stack when not in use. White color.

	408095	408105
Length inches	9	12
Width inches	6	3
Depth inches	2	2
Case Quantity	12	12
Case Price \$	91.95	72.93

Tray - Tube

NEW



NEW Tray, Pipette 4 Place, PVC*

Kartell

Designed to hold ~30 pipettes. 4 compartments accommodate pipettes of 1-2-5-10 ml capacities. Dimensions: 510 x 350 x 105mm.

211004

\$35.60 each



NEW

NEW Storage and Transport Trays PVC*

Kartell

Useful for Lab and Desk Items. Very sturdy. Use for carrying items such as stir bars, connectors etc. Useful for knick knacks - rulers, erasers, pencils etc, in desk drawers. Central compartment of five cavity tray can be used for pipettes.

209304	-0005
Cavity	5
Cavity dimensions mm	90 x 90
Length mm	303
Width mm	403
Height mm	63
Price Each \$	53.85



Test Tubes, PP w/ LDPE Screw Caps*

Kartell

16mm test tubes with quick closure screw caps; leakproof, and suitable for centrifugation 4000xg. Graduated in 2mL increments to 12mL. The design of the cap avoids any contamination due to drops of liquid on the inner surface.

299334	-000W	-000B	-000R	-000Y
Cap Color	White	Blue	Red	Yellow
Height mm	100	100	100	100
Diameter mm	16	16	16	16
Capacity mL	15	15	15	15
Pack Quantity	100	100	100	100
Pack Price \$	22.58	22.58	22.58	22.58



Microcentrifuge Tubes PP - now available in packs of 500!

- Leak tested to 20,000 RCF for 20 minutes at 20°C with an aqueous solution
- Attached lid provides a tight, leakproof seal, yet can be easily opened
- Lid membrane is uniformly thick to ensure trouble free piercing
- Available in a rainbow of colors for easy identification
- Supplied 1000 per case, 2 bags 500 each, except for Rainbow Pack
- All these premium tubes feature frosted writing area and graduations

PREMIUM QUALITY 1.5ML MICROCENTRIFUGE TUBES PP

399325	-0000	-0001	-0002	-0003
Color	Natural	Yellow	Blue	Green
Pack Quantity	500	500	500	500
Pack Price \$	16.31	18.95	18.95	18.95
Case Quantity	1000	1000	1000	1000
Case Price \$	35.41	42.49	41.12	41.12

399325 -0004 -0005 -0006

Color	Orange	Amber	Rainbow
Pack Quantity	500	500	
Pack Price \$	18.95	18.95	
Case Quantity	1000	1000	600
Case Price \$	41.12	41.94	26.69

ECONOMY MICROCENTRIFUGE TUBES - NATURAL; 11,000 RCF Value

299265	
Capacity ml	.5
Description	With Cap
Case Quantity	1000
Case Price \$	38.86



FREE Microcentrifuge Tube sample pack

Telephone 800-334-7585 or
e-mail customer service at
Dynaloinfo@dyna-labware.com



Test Tube Stoppers LDPE*

Kartell

Single-position, tight-fitting, low density polyethylene plug-type stoppers to fit disposable test tubes.

TEST TUBE STOPPERS LDPE 11-13mm

276145	-0000	-000B	-000G	-000R	-000Y
Color	Natural	Blue	Green	Red	Yellow
Case Quantity	1000	1000	1000	1000	1000
Case Price \$	46.39	46.39	46.39	46.39	46.39

TEST TUBE STOPPERS LDPE 15-17mm

276155	-0000	-000B	-000G	-000R	-000Y
Color	Natural	Blue	Green	Red	Yellow
Case Quantity	1000	1000	1000	1000	1000
Case Price \$	52.12	52.12	52.12	52.12	52.12

Tweezer - Tubing



Forceps - Tweezers PMP*

Azlon

These strongly readjusting tweezers are available with sharp or rounded ends with fine tooth grips. Supplied in packages of six.

516555	-0001	-0002	-0003	-0004
Color	White	White	Yellow	Yellow
Ends	Sharp	Sharp	Round	Round
Length mm	115	145	180	250
Case Quantity	6	6	6	6
Case Price \$	24.91	33.68	61.44	90.18



Tubing Connector Kit*

Kartell

Kit consists of 55-piece assortment of connectors and clamps needed in daily lab routine or for industrial application. Supplied in handy plastic compartment tray.

Kit includes:

- 14 Y Connectors,2 each size
- 12 Quick Disconnects,2 each size
- 12 Straight Connectors,2 each size
- 3 Dura Clamps,1 each size
- 14 T Connectors,2 each size

680505

\$108.09 each



Vinyl Laboratory Tubing

- Non-toxic
- Smooth & flexible
- Transparent & inert
- Chemical resistant

Physical Properties

Specific Gravity	1.20	Color	Clear
Tensile Strength	2000 psi	Toxicity	Non-toxic
Elongation%	400%	Aging Characteristics . .	Excellent
Durometer Hardness, Shore A .	.68	Temperature Resistance . .	212°F
Brittle Temperature °C	-40°C		

Technical data provided is based on individual laboratory and test reports and is accurate to the best of our knowledge. No guarantees are expressed or implied. Dynalon® Vinyl Food Grade Tubing is designed for use in the laboratory. Glass-like transparency; smooth, dense bore will not harbor bacteria or provide a surface receptive to sediment build-up. Conforms to all FDA, USDA and 3-A milk handling standards. May be steam sterilized.

610855	-02	-03	-04	-05	-06
I.D. inches	1/8	3/16	3/16	3/16	1/4
O.D. inches	1/4	5/16	3/8	7/16	3/8
Wall Thickness inches	1/16	1/16	3/32	1/8	1/16
Feet Per Case	50	50	100	100	50
Case Price \$	21.00	26.98	75.66	122.64	33.32

610855	-07	-08	-09	-10	-11
I.D. inches	1/4	1/4	5/16	5/16	5/16
O.D. inches	7/16	1/2	7/16	1/2	9/16
Wall Thickness inches	3/32	1/8	1/16	3/32	1/8
Feet Per Case	50	50	50	100	100
Case Price \$	49.50	71.11	44.98	129.65	147.81

610855	-12	-13	-14	-15	-16
I.D. inches	3/8	3/8	3/8	7/16	7/16
O.D. inches	1/2	9/16	5/8	9/16	5/8
Wall Thickness inches	1/16	3/32	1/8	1/16	3/32
Feet Per Case	50	50	50	100	100
Case Price \$	47.71	68.38	94.48	113.42	144.01

610855	-18	-19	-20	-25	-26
I.D. inches	1/2	1/2	1/2	5/8	5/8
O.D. inches	5/8	11/16	3/4	13/16	7/8
Wall Thickness inches	1/16	3/32	1/8	3/32	1/8
Feet Per Case	50	50	50	50	50
Case Price \$	57.58	85.53	115.21	113.42	151.23

610855	-31	-33	-35	-37	-38
I.D. inches	3/4	7/8	1	1	1 1/4
O.D. inches	1	1 1/8	1 1/4	1 3/8	1 3/4
Wall Thickness inches	1/8	1/8	1/8	3/16	1/4
Feet Per Case	50	50	50	50	50
Case Price \$	171.00	252.00	260.11	324.00	522.00

FREE Tubing Connector and Tubing sample pack

Telephone 800-334-7585 or
e-mail customer service at
Dynaloninfo@dyna-labware.com

*Supplied by an ISO 9001 certified facility. Traceable food grade raw materials used in containment and dispensing products.

Vial - Water Still



NEW



NEW Tuff Vials

Highly break resistant tough polycarbonate vials with polypropylene leakproof closures. Glass clear allows viewing of valuable contents, liquid or solid. Reusable and autoclavable. 180mL, sold as each, pack of 6 or tray of 12, can also be used as an outer protective container. 5mL and 10mL are also ideal for leakproof shipping of reagents and buffer solutions, for packaging of serum, veterinary, pharmaceuticals, cosmeceutical and nutraceutical extracts. Use with most aromatic compounds and essential oils. Available in packs of 20 or shrink wrap trays of 100.

626434	-0005	-0010	-0180
Size mL	5	10	180
Closure mm	20-415	20-415	54
Pack Quantity	20	20	6
Pack Price \$	\$16.00	\$17.60	\$30.96
Case Quantity	100	100	12
Case Price \$	\$80.00	\$88.00	\$61.92

Installation Video
Available Online
<http://youtu.be/DYag12JqNZU>



Water Still, Merit



- Economical Price
- Glass construction with long life metal heating element
- Two independent safety thermostats
- Wall mountable

The Merit is the ideal choice for budget conscious laboratories that can't afford to compromise on quality. It combines economy and high performance with a host of other features which comparable stills cannot match. Built in acid addition funnel and drain stopcock allow easy descaling without dismantling the glassware.

The unique condenser design ensures that the droplets of distilled water remain in contact with the cooling coil for the longest possible time producing cold distilled water and pre-heating the boiler feed to increase efficiency. Screw threads are incorporated on all water connections so hoses can be fitted and removed easily and safely without risk of breakage. Safety features include two independent safety thermostats to prevent over heating in the event of failure of the water supply. The stand is pre-drilled to facilitate wall mounting.

Output	.4 liters/hr, single distilled
pH	.5.0 – 6.5
Conductivity, μScm^{-1}	.3.0 – 4.0
Resistivity, mOhm-cm	.0.25 – 0.3
Temperature	.25 - 35°C
Pyrogen content *	.Pyrogen free
Water supply	.1 liter/min
	3 – 100psi (20-700kPa)
Electricity supply (single phase)	.220/240V, 50-60Hz
Power requirement	.3kW
Net weight	.25lbs
Dimensions, (w x d x h), mm	.500 x 150 x 450
	19.7" x 5.9" x 17.7"

* Care is required to produce pyrogen free water and the output should be tested before use.

Transparent - students can see distillation process.



The results at right confirm that the distilled water from our Merit Water Still conforms to Grade 3 water as detailed in ISO 1696: 1987.

*pH, conductivity and sensitivity are affected by temperature and the presence of absorbed carbon dioxide. The basis of the tests is 20°C on distilled water free of carbon dioxide.

**Care is needed to obtain Pyrogen-free water, and the distillate must be tested before use.

Model	Description	Price
540004-0000	Merit Water Still, 220/240V	\$1,820.75 each
540014-0001	Replacement 220V Heater element 3kw	\$946.23 each
540014-0002	Replacement boiler	\$697.50 each
540014-0003	Replacement condenser	\$981.93 each
540014-0005	Gasket Kit For Water Stills	\$199.86 each

Wipes - Zebra Fish Breeding



Golden Dusters

- Unique stretch design
- Strong, Soft and Durable
- Specially designed pockets to catch dust and dirt
- Convenient twist-tie polybags
- Treated to attract dust
- Low Linting

Golden Dusters are the perfect choice for multi-purpose dusting applications. Both towels contain a unique structure that is designed to be stretched before dusting, creating tiny dust catching pockets. Towels are specially treated to collect maximum amounts of dust without leaving any hazardous residue behind.

626745	-0001	-0002	-0003
Packing	1/4 fold, polybag	1/4 fold, polybag	1/8 fold, polybag
Color	Yellow	Yellow	Yellow
Dimensions inches	16 x 24	12 x 16.75	24 x 24
Sheets per box	50	50	50
Box Price \$	20.45	13.04	32.93



Dura-Cross - Zebra Fish Breeding Tank

- Manufactured from food grade polycarbonate - virtually indestructible thereby minimizing replacement costs. Glass clear for maximum viewing of fish and eggs.
- Unique slotted insert ensures eggs are separated from adults, maximizing yield; the removable insert allows adult fish to be quickly and safely returned to the main habitat tank.
- Molded lid keeps tank and fish environment clean and is designed for stacking. Two 1/4" holes are able to take air tubing.
- Optional Dividers made of PC are available in diagonal and straight formats to keep males and females separate as required.
- Optional Carrying Tray made of PC allows for safe transport of tanks; tray holds 5 tanks in a single layer or 10 tanks stacked.
- Tanks and accessories are dishwasher safe and autoclavable for easy cleaning.
- Tank dimensions: 8" x 4" x 3" (20.3 x 10.2 x 7.6cm)

Part Number	Description	Price
143354-0000	Zebra Fish Tank Complete	\$38.89 each
143354-0001	Zebra Fish Tank Complete (CS of 25)	\$785.28 case
143354-0002	Tank Divider - Horizontal	\$5.03 each
143354-0003	Tank Divider - Horizontal (CS of 25)	\$103.63 case
143354-0004	Tank Divider - Diagonal	\$5.03 each
143354-0005	Tank Divider - Diagonal (CS 25)	\$118.24 case
143354-0006	Tank Carrier*	\$50.30 each
143354-0007	Tank Carrier* (CS of 5)	\$212.44 case

Weights and Measures

1 cup	= 8 fluid ounces = 4.8 ounces = 137 grams dry weight = 16 tablespoons = 48 teaspoons
1 gallon	= 0.1337 cubic feet = 231 cubic inches = 3.785 liters = 8.336 pounds of water = 133.376 ounces of water
1 liter	= 0.001 cubic meter = 1.057 quarts = 0.2642 gallons = 0.03531 cubic feet
1 ounce	= 0.0625 pounds = 28.35 grams = 437.5 grains
1 pound	= 16 ounces = 0.4536 kilograms = 7000 grains = 1.2153 pounds Troy
1 quart	= 2 pints = 0.25 gallons = 0.9464 liters = 2.084 pounds of water

Temperature

$$(F - 32) \times 5/9 = \text{°Celsius}$$

$$(C \times 1.8) + 32 = \text{°Fahrenheit}$$

Length

$$\text{millimeters} \times 0.03937 = \text{inches}$$

$$\text{centimeters} \times 10 = \text{millimeters}$$

$$\text{centimeters} \times 0.3937 = \text{inches}$$

$$\text{meters} \times 1000 = \text{millimeters}$$

$$\text{meters} \times 100 = \text{centimeters}$$

$$\text{meters} \times 3.281 = \text{feet}$$

$$\text{square meters} \times 10.76 = \text{square feet}$$

$$\text{square meters} \times 1.196 = \text{square yards}$$

$$\text{square meters} \times 0.0002471 = \text{square acres}$$

$$\text{cubic meters} \times 35.31 = \text{cubic feet}$$

$$\text{cubic meters} \times 1.308 = \text{cubic yards}$$

$$\text{cubic meters} \times 0.0008107 = \text{acre-feet}$$

$$\text{kilometers} \times 1000 = \text{meters}$$

$$\text{kilometers} \times 0.6214 = \text{miles}$$

$$\text{square kilometers} \times 0.3861 = \text{square miles}$$

$$\text{cubic kilometers} \times 0.2399 = \text{cubic miles}$$

$$\text{inches} \times 25.4 = \text{millimeters}$$

$$\text{inches} \times 2.54 = \text{centimeters}$$

$$\text{square inch} \times 6.4516 = \text{square centimeters}$$

$$\text{feet} \times 12 = \text{inches}$$

$$\text{feet} \times 0.3048 = \text{meters}$$

$$\text{square feet} \times 0.09294 = \text{square meters}$$

$$\text{cubic feet} \times 0.02832 = \text{cubic meters}$$

$$\text{acre-foot} \times 1233 = \text{cubic meters}$$

$$\text{yard} \times 3 = \text{feet}$$

$$\text{yard} \times 0.9144 = \text{meters}$$

$$\text{miles} \times 5280 = \text{feet}$$

$$\text{miles} \times 1609.3 = \text{meters}$$

$$\text{miles} \times 1.609 = \text{kilometers}$$

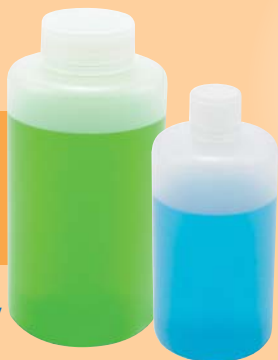
$$\text{square miles} \times 2.590 = \text{square kilometers}$$

$$\text{cubic miles} \times 4.168 = \text{cubic kilometers}$$

Conversion Formulas

FREE Science Gift Pack

Containing items such as bottles,
cylinders, funnels & stir bars!



Order yours
today!



Telephone: 800.334.7585 Fax: 585.334.0241 E-mail: dynaloninfo@dyna-labware.com

\$50 VALUE!

Proud to be your
supplier of choice
for almost 60 years



Dynalon[®]
Labware
quality . value . service

175 Humboldt Street, Suite 300
Rochester, NY 14610
Telephone 800-334-7585
Fax 585-334-0241
www.dynalon.com

Dynalon[®] is a federally registered trademark owned by Dynalab Corp.